



Extrusion Technology
80 Trim Way
Randolph, MA 02368
(781) 963-7200
www.xtech-outside.com

XTech RoHS Compliance Identification Control

Activated May 2005



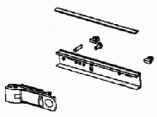





Each component or subassembly in our database (~10,000 items), whether a fastener, a bracket or a piece of shielding, has an indicator assigned to it for RoHS status. All parts are initially given the status "U" for Unknown. As we verify compliance for individual suppliers processes as well as component suppliers individual products, the indicator flags are changed to "Y" for compliant. If a component is known to be non-compliant its flag is set to "N".

As the Bills of Materials for each Finished Good product roll up, the top level assembly accumulates the sum of all of the RoHS flags, determining whether the product is compliant or not. The presence of any "U" or "N" parts within a bill of materials produces an "N" calculated sum.

As product is assembled, the following actions are initiated. The date code product ID label printers interrogate the database, and if, and only if, the RoHS answer is "Y", then a RoHS symbol is printed on each product date code label.



The shipping label printers interrogate the same data base and print a RoHS symbol on the shipping label using the same automated process.

EXTRUSION TECHNOLOGY, INC. 80 Trim Way Randolph, Mass 02368 781-963-7200 / Fax 781-963-7203	
 	
	
Ship to: ABC TECHNOLOGIES ABC MANUFACTURING ANYWHERE CITY	
Part #  CSP-408649069	
PO #:  256188 LINE-1	
Quantity:  25	Carton 5 OF 5
Reference  408649069 REV-W2T	
Die #: LUC-10A	Packed on: 01/17/05
Order #: S18095*1	Weight: 0 Lbs



Extrusion Technology
 80 Trim Way
 Randolph, MA 02368
 (781) 963-7200
 www.xtech-outside.com

Similarly, the packing slip and invoice printers interrogate the data base and automatically print

*****This line item is RoHS Compliant*****
 for every compliant line item in the shipment.

To provide constant monitoring of the status of all items in the data base, an automated email message is sent to the RoHS Compliance Program Manager whenever a new item is created or an existing item is modified in any manner. The item is reviewed for any changes which would affect the RoHS status, be it a supplier change, finish change or the addition/substitution of a component. Here is an example of the email generated:

```
From: Ben Medd <BMEDD@XTECH-OUTSIDE.COM>
Subject: XTECH/ROI - CHANGE TO RoHS - ROI Item: 123720|01
To: "Richardson, Steve" <srichardson@xtech-outside.com>
*****
*** EMAIL ** EXTRUSION TECHNOLOGY, INC. (781) 963-7200 ***
*** MESSAGE ** 80 TRIM WAY, RANDOLPH, MA 02368(781) 963-7203 ***
*****
*** QUALITY POLICY: CQI - CONTINUOUS QUALITY IMPROVEMENT ***
*** SAFETY POLICY: CSI - CONTINUOUS SAFETY IMPROVEMENT ***
*****
*** XTECH - RoHS FLAG CHANGE - NOTIFICATION FOR REVIEW ***
*****
```

This item had the RoHS code changed and needs review:

```
Item Part Number: 123720|01 ETI-05P CD END PLATE # 2
Inventory Type/Class: FG PANL
```

RoHS Calculation: Y (Based on BOM)

```
RoHS Old Code: U
RoHS New Code: Y
```

```
Quantity on Hand:
XTECH Location:
NEW Vendor Name:
OLD Vendor Name:
Program Manager: 815 JOSH MURRAY
User: Steve Richardson
```

Display of Current BOM with Details

ROI	Eti			RoHS	RoHS
Comp	Item	Die	Component	Class	Calc
Number..	Nbr.....	Part	Number.....	Cpn..	Comp
		Number.....		Comp	Par
113099 01	STOCK	5052	.062X48X48 SHEET-STD SHT	Y	Y-OR
1	record listed				

```
Ref: #1505516 ETI_107/CHGROHS [E:\ROI\ETI.MAIN]
Fri 07-25-08 09:45pm
```

S.Richardson 26-Feb-2009