

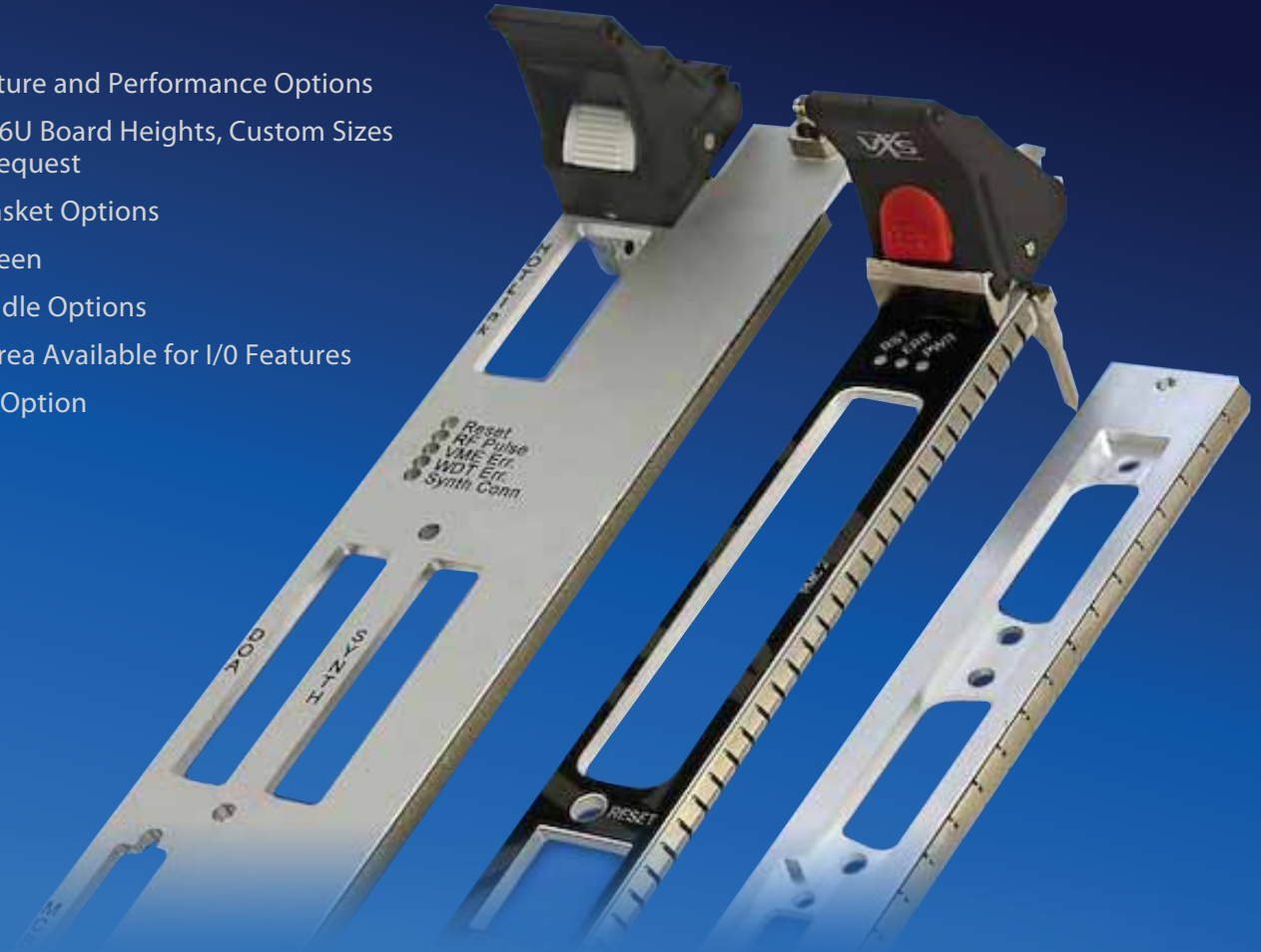
VPX Front Panels

IEEE 1101.10 Compliant



FEATURES

- Full Range of Feature and Performance Options
- Standard 3U and 6U Board Heights, Custom Sizes Available Upon Request
- Metal or Foam Gasket Options
- Overlay or Silkscreen
- Full Range of Handle Options
- Maximum Face Area Available for I/O Features
- Hot Swap Switch Option



WWW.XTECH-OUTSIDE.COM | 1-888-444-1644

XTech — The Front Panel Source

Standard VPX_{REDI} Front Panels are Now Supported by the XTech XPRESS Program!

XPRESS FROM START TO FINISH

- Drawings Online for Easy Access / Modification
- Online Quote Request
- Engineering Documentation and Approvals - XPRESS Style
- Production - 15 Days on New Orders; 10 Days on Reorders

Front Panels are Assembled and Ready to Go!

Contact our Sales Department by Phone at 1-888-444-1644 or by Email at xpresssales@xtech-outside.com For More Information



Visit www.xtech-outside.com





VPX Front Panels

STANDARD ASSEMBLIES AND COMPONENTS



FRONT PANEL ASSEMBLIES STANDARD SIZES

3U - 4HP 6U - 4HP
 3U - 4.25HP * 6U - 4.25HP *
 3U - 5HP 6U - 5HP

* 4.25HP and Special Sizes
Available Upon Request

STANDARD CONFIGURATIONS

All Standard Sizes are Supported by the XTech XPRESS program!

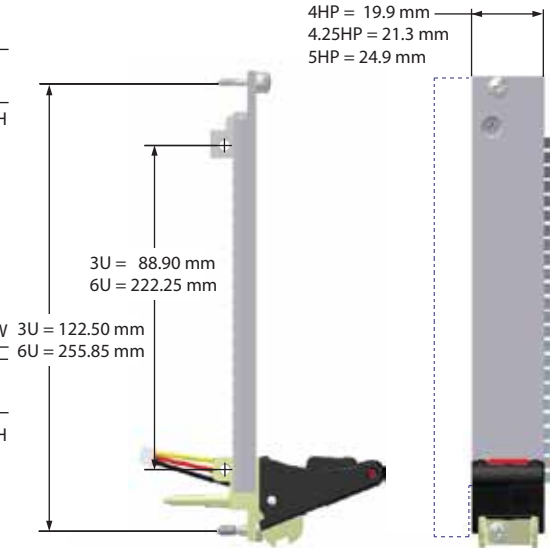
3U and 6U Standard PCB Board Heights Available For All Panels

XTech XPRESS - Customize the Panels with your cutouts and labeling. . . Check out www.xtech-outside.com to download drawings.

Custom Panel Heights, Widths, and Finishing are Available Upon Request

3U ASSEMBLY	QTY	QTY	QTY	ITEM DESCRIPTION
	4HP	4.25HP	5HP	
	1	1	1	FRONT PANEL with CLEAR CHROMATE FINISH
	1	1	1	BOTTOM EJECTOR WITH PANEL SCREW
	1	1	1	OPTIONAL HOT SWAP SWITCH
	1	1	1	EMI GASKET (METAL OR FOAM)
	1	1	1	SCREW SLEEVE
	2	2	2	FASTENING SCREW
	1	1	1	PCB BOARD MOUNT WITH FASTENING SCREW

6U ASSEMBLY	QTY	QTY	QTY	ITEM DESCRIPTION
	4HP	4.25HP	5HP	
	1	1	1	FRONT PANEL with CLEAR CHROMATE FINISH
	1	1	1	BOTTOM EJECTOR WITH PANEL SCREW
	1	1	1	TOP EJECTOR WITH PANEL SCREW
	1	1	1	OPTIONAL HOT SWAP SWITCH
	1	1	1	EMI GASKET (METAL OR FOAM)
	0	0	0	SCREW SLEEVE
	2	2	2	FASTENING SCREW
	0	0	0	OPTIONAL - PCB BOARD MOUNT



U	HP	GASKET	Chromated Blank Panel
3U	4HP	FOAM	125845
3U	4HP	METAL	125846
3U	4.25HP	FOAM	Special Order
3U	4.25HP	METAL	Special Order
3U	5HP	FOAM	130273
3U	5HP	METAL	130274
6U	4HP	FOAM	125847
6U	4HP	METAL	125848
6U	4.25HP	FOAM	Special Order
6U	4.25HP	METAL	Special Order
6U	5HP	FOAM	130275
6U	5HP	METAL	130276

"S" VERSION EJECTOR
 INCLUDES PANEL ATTACHMENT SCREW
 BOTTOM EJECTOR - XTECH# 125875
 TOP EJECTOR - XTECH# 125874
 Pkgs. of 10
 SUPPORTED BY XTECH XPRESS

"E" VERSION EJECTOR
 INCLUDES PANEL ATTACHMENT SCREW
 BOTTOM EJECTOR - XTECH# 125877
 TOP EJECTOR - XTECH# 125876
 Pkgs. of 10
 SUPPORTED BY XTECH XPRESS

FOAM EMI GASKET
 FABRIC OVER FOAM CUT TO LENGTH
 3U - XTECH# 125924
 6U - XTECH# 125925
 Pkgs. of 10

METAL EMI GASKET
 STAINLESS STEEL CUT TO LENGTH
 3U - XTECH# 125920
 6U - XTECH# 125921
 Pkgs. of 10

HOT SWAP SWITCH
 MICROSWITCH
 - XTECH# 125906 - XTECH# 125599
 Pkg. of 10 Pkg. of 100

PCB BOARD MOUNT
 CARD HOLDER WITH ANTI-ROTATION
 INCLUDES PANEL ATTACHMENT SCREW
 - XTECH# 125907 - XTECH# 125600
 Pkg. of 10 Pkg. of 100

SCREW SLEEVE
 CLINCH FASTENER
 - XTECH# 125904 - XTECH# 125836
 Pkg. of 10 Round Pkg. of 100 Round
 - XTECH# 125598
 Pkg. of 100 Oblong

COLLAR SCREW
 PHS-M2.5X12mm SCREW
 - XTECH# 125905 - XTECH# 125838
 Pkg. of 10 Pkg. of 100



sales@xtech-outside.com
 358 North Street, Randolph, MA 02368
www.XTech-Outside.com
 US Sales: 1-888-444-1644
 China Sales: 86-592-5765365