

Front Panels

FEATURES

Stainless Steel or Aluminum Extrusion Options

6HP x 8U Size

Front Panel or RTM (Rear Transition Module) configurations

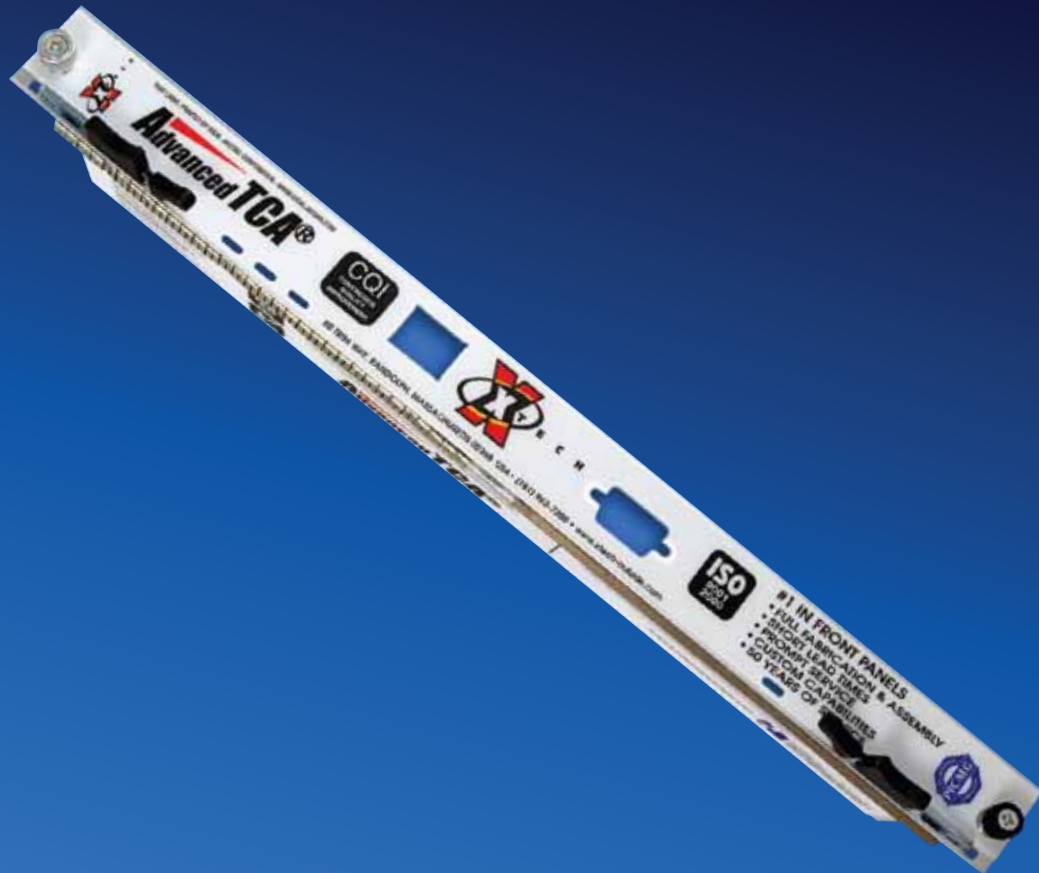
Optional side 2 cover designs

Flexibility in component selection: Southco handle standard, other handles upon request

Finishing options: Silkscreening, Overlays, Powder coat, Plating

Wide range of customization options including stand offs, custom thickness, integral components including cable management

Global manufacturing capabilities



XTech — The Front Panel Source

XTECH provides a full range of customization services including hardware and finishing options. Just download our reference drawings for either the sheet metal or extruded front panels - add your cutouts - and let us do the rest!

OTHER INFORMATION

Off the shelf filler panels also available

Accessory products include AMC carriers and AMC front panels



Visit www.xtech-outside.com





Front Panels



AVAILABLE CONFIGURATIONS

Standard sizes:

- 8U 6HP Front Panel with foam over fabric gasket
- 8U 6HP RTM Panel with foam over fabric gasket

Custom sizes and features available

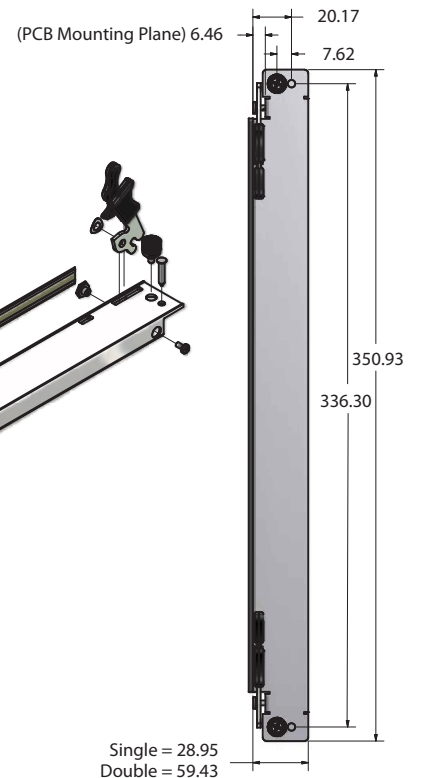
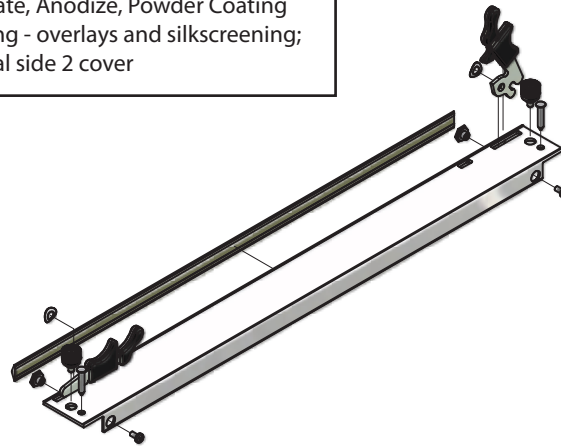
- In house design assistance to design in the features you need

SPECIFICATION COMPLIANCE

PICMG 3.0

Go to www.xtech-outside.com to download drawings

Size	Description	Finish
8U x 6HP	Aluminum Extruded ATCA Front Panels - Robust - Aesthetic Design	Chromate, Anodize, Powder Coating Labelling - overlays and silkscreening; optional side 2 cover
8U x 6HP	Aluminum Extruded ATCA RTM Panels - Robust - Aesthetic Design	Chromate, Anodize, Powder Coating Labelling - overlays and silkscreening; optional side 2 cover



	Material	Configuration
Front	AL Extrusion	Front Panel Only
RTM	AL Extrusion	Front Panel Only
Front	AL Extrusion	w/ Side 2 Cover
RTM	AL Extrusion	w/ Side 2 Cover
Front	Sheet Metal	Front Panel Only
RTM	Sheet Metal	Front Panel Only
Front	Sheet Metal	w/ Side 2 Cover
RTM	Sheet Metal	w/ Side 2 Cover

Front Panels and covers can be configured to your specification.
Stainless Steel front panels treated with Clear Passivation.
Aluminum treated with Clear Trivalent Chromate.



sales@xtech-outside.com
358 North Street, Randolph, MA 02368
www.XTech-Outside.com
US Sales: 1-888-444-1644
China Sales: 86-592-5765365