

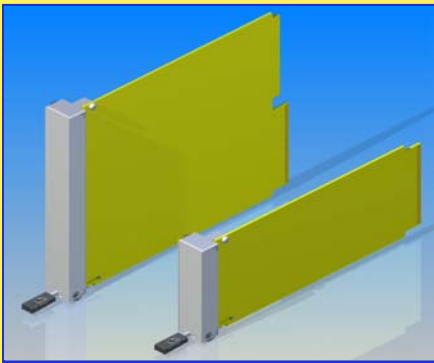
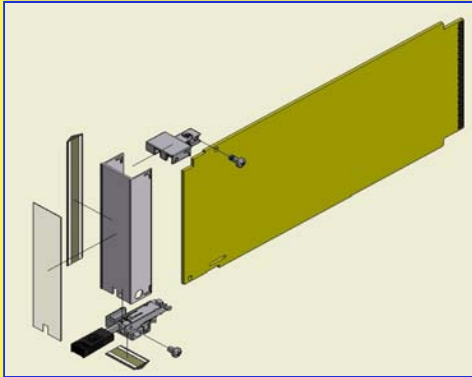


SPECIFICATIONS

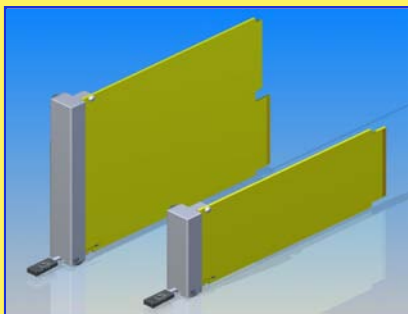
- COMPATIBLE WITH ALL XTECH EXTRUDED ALUMINUM AND STAINLESS STEEL AMC.0 FACEPLATE ASSEMBLIES
- FILLER PANELS SUPPLIED ASSEMBLED TO CUSTOMERS CHOICE OF FACEPLATE
- CUSTOM OVERLAYS AVAILABLE
- XTECH SILVER OVERLAY SUPPLIED
- SPECIFICATION COMPLIANCE - PICMG AMC.0; UL94-V0; RoHS Compliant

FEATURES

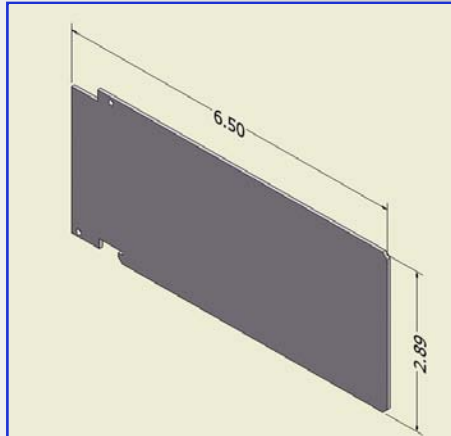
- CHROMATED ALUMINUM FILLER PANELS FOR ENHANCED THERMAL SPREADING
- FR4 FILLER PANELS - LIGHTEST WEIGHT
- FR4 FILLER PANELS WITH 30µ GOLD FINGERS - OPTIMUM PROTECTION FOR MATING CONNECTOR CONTACTS AND INCREASED RETENTION FORCES



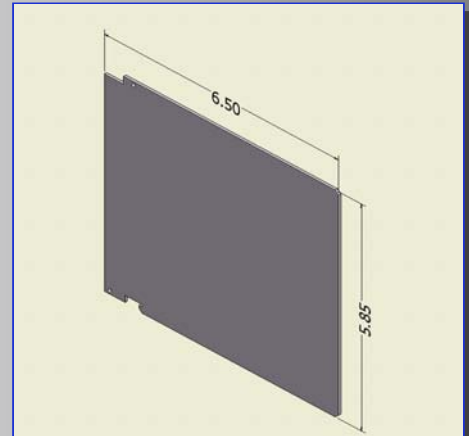
FILLER PANELS SHOWN WITH STAINLESS STEEL BLANK FACEPLATES



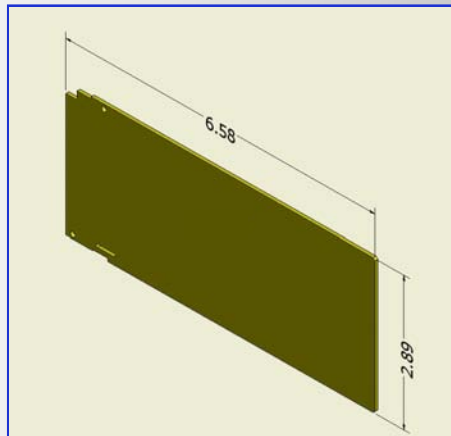
**ALUMINUM AND FR4 FILLER PANELS, AMC.0
SIZES AND PART NUMBERS**



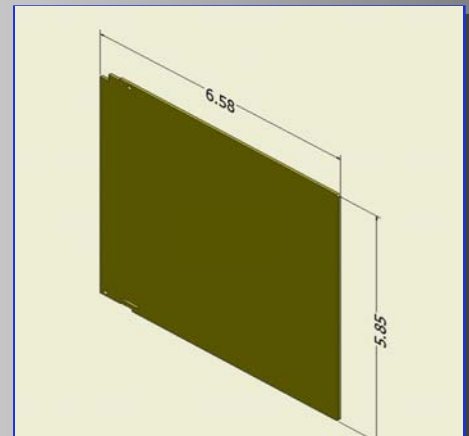
SINGLE WIDTH ALUMINIUM
XTECH # XMC70-0008



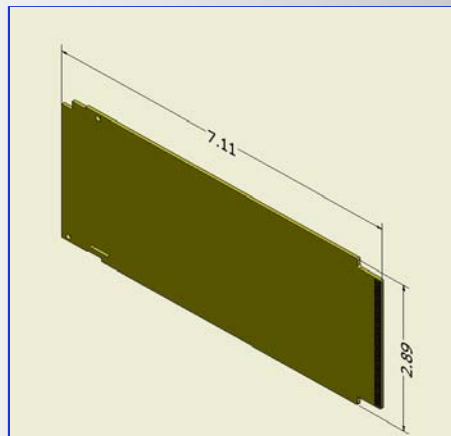
DOUBLE WIDTH ALUMINIUM
XTECH # XMC70-0044



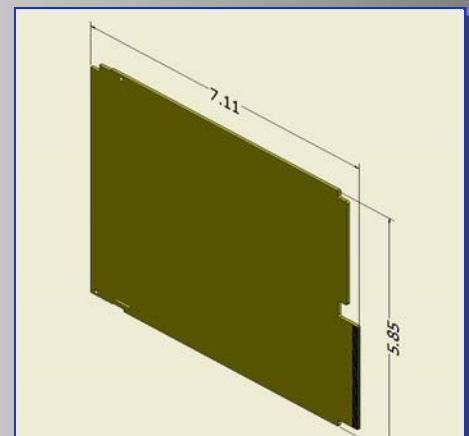
SINGLE WIDTH FR4
XTECH # XMC40-0005



DOUBLE WIDTH FR4
XTECH # XMC40-0011



SINGLE WIDTH FR4 W/ GOLD FINGERS
XTECH # XMC40-0003



DOUBLE WIDTH FR4 W/ GOLD FINGERS
XTECH # XMC40-0006