



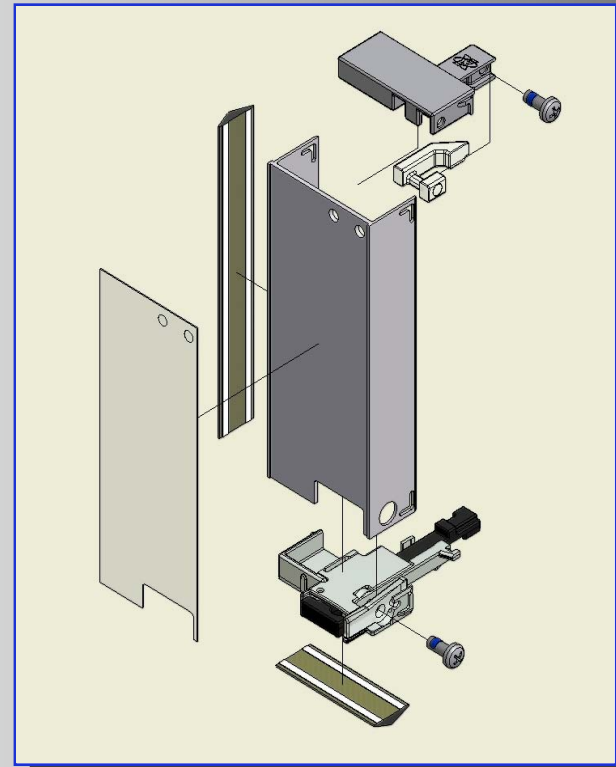
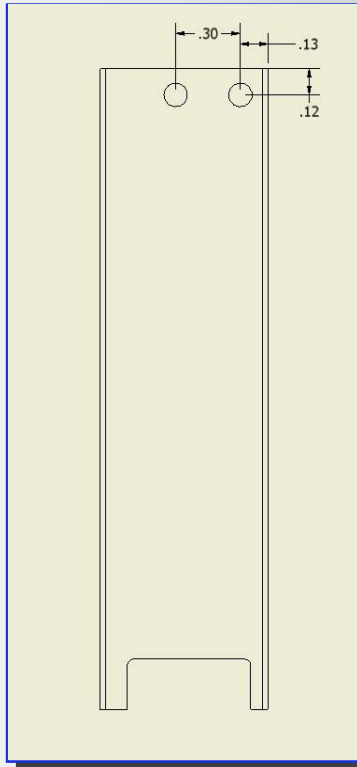
ALUMINUM SPECIFICATIONS

- FACEPLATE - Extruded Aluminum
- FINISH - Trivalent Chromate
- DUAL LIGHT PIPE - Polycarbonate
- LIGHT PIPE HOUSING - Zinc-Alloy with Electroless Nickel
- PCB SCREWS - Stainless Steel with Locking Patch
- PUSH-PULL HOT SWAP LATCH - Zinc-Alloy, Stainless Steel, Nickel Plate, ABS, and Polycarbonate
- EMI GASKETS - Fabric over Foam
- CUSTOM OVERLAY - 0.25mm Velvet Matte Polycarbonate
- SPECIFICATION COMPLIANCE - PICMG AMC.0 Rel 2.0; UL94-V0; RoHS Compliant

FEATURES

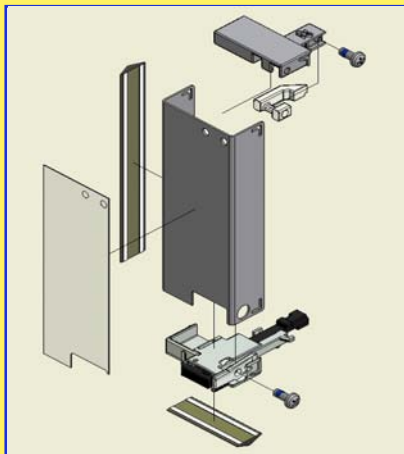
- PUSH-PULL FLUSH PROFILE LATCH WITH INTEGRAL HOT SWAP LIGHT PIPE
- LIGHT WEIGHT, EXTRUDED ALUMINUM PROFILE
- SNAG-RESISTANT GASKET CURB ALSO ENHANCES EMI INTEGRITY
- OVERLAY GALLERY TO ENSURE CRISP AESTHETICS
- TAPERED LEAD-IN ON SIDE FLANGES TO GUARANTEE SMOOTH INSERTION
- 1.0 MM THICK FACE FOR ROBUST CONNECTOR RETENTION AND GROUNDING.
- CUSTOM I/O CUTOUTS INCLUDED
- MAXIMUM FACE AREA AVAILABLE FOR CONNECTOR CUTOUTS
- ASSEMBLED AND READY TO ATTACH TO YOUR MODULE PCB

EXTRUDED ALUMINUM FACEPLATE ASSEMBLIES WITH PUSH-PULL EJECTORS - AMC.0 REL.2.0 COMPLIANT



STAINLESS STEEL SPECIFICATIONS

- FACEPLATE - Stainless Steel
- FINISH - Clear Passivation
- DUAL LIGHT PIPE - Polycarbonate
- LIGHT PIPE HOUSING - Zinc-Alloy with Electroless Nickel
- PCB SCREWS - Stainless Steel with Locking Patch
- PUSH-PULL HOT SWAP LATCH - Zinc-Alloy, Stainless Steel, Nickel Plate, ABS, and Polycarbonate
- EMI GASKETS - Fabric over Foam
- CUSTOM OVERLAY - 0.25mm Velvet Matte Polycarbonate
- SPECIFICATION COMPLIANCE - PICMG AMC.0 Rel 2.0; UL94-V0; RoHS Compliant



SIZES AND REFERENCE PART NUMBERS

