



AMC Front Panel Assemblies with Retention Flange - uTCA
REL.1.0 Compliant for Robust Applications



FEATURES

Increased Locking Security for use in Robust Applications Including High Shock and Vibration Environments

Light Weight, Robust Aluminum Profile

Snag-Resistant Gasket Curb also Enhances EMI Integrity

1.0mm Thick Face for Robust Connector Retention and Grounding

Custom I/O Cutouts Included for Board I/O

The Perfect Solution to Insure AMC's and UTCA Boards Remain Secure in High Shock and Vibration Applications!



WWW.XTECH-OUTSIDE.COM | 1-888-444-1644

XTech - The Front Panel Source

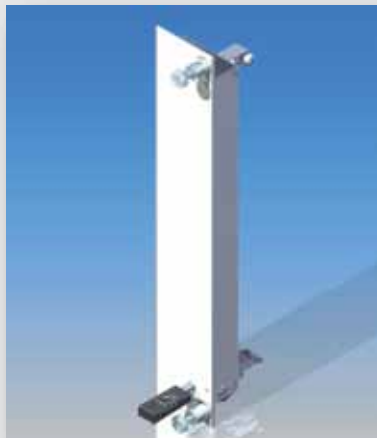
Available Configurations

Compact, Mid-Size, and Full-Size

Single and Double Width

Customize with I/O Cutouts and Labelling to Meet Your Application Requirements

Filler Panel Configurations also Available to Complete Your System Requirements



On-Line Design Assistance!

Visit www.xtech-outside.com to download our overlay template as part of the STP file!





Front Panel Assemblies with Retention Flange - uTCA
REL.1.0 Compliant for Robust Applications

FRONT PANEL ASSEMBLIES

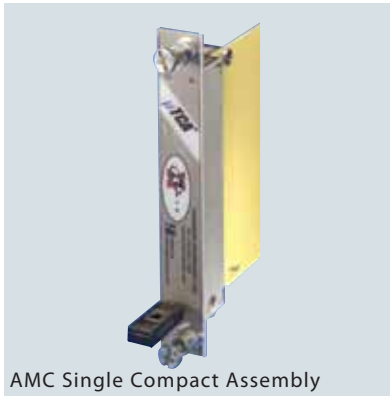


AMC Single Mid-Size Assembly



AMC Single Full-Size Assembly

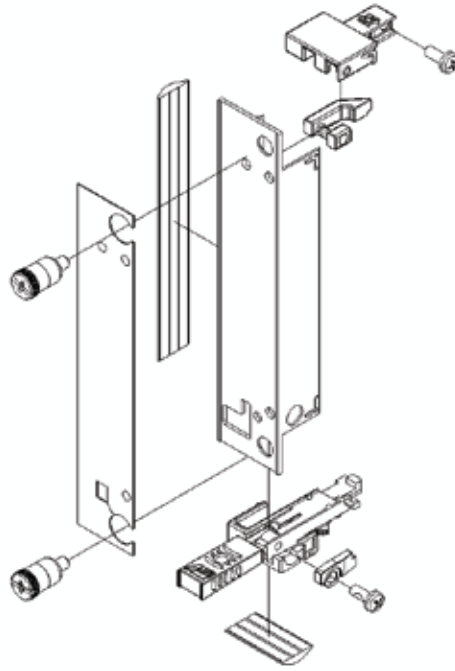
Special Orders for Compact Widths



AMC Single Compact Assembly



AMC Double Compact Assembly



SPECIFICATIONS

Panels - Aluminum with Retention Flanges

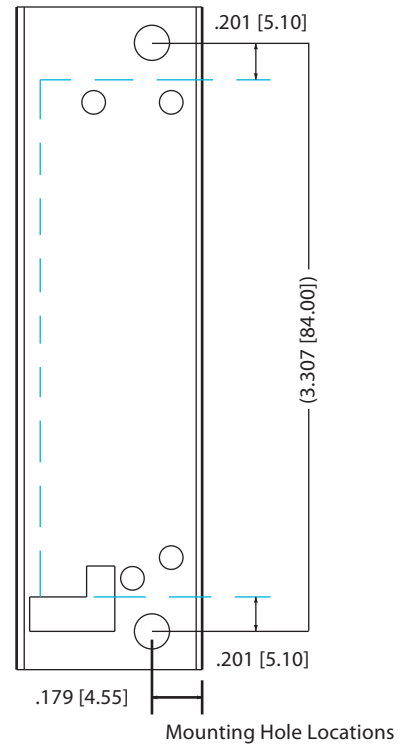
M3 Captive Screws - Stainless Steel and Zinc Chromate over Steel

Dual Light Pipe (on Front Panel Configurations Only) - Polycarbonate

EMI Gaskets - Fabric over Foam

Optional Overlay Template provided or online - 0.25mm Velvet Matte Polycarbonate for Aesthetic Appearance

Specification Compliance - PICMG uTCA Rel 1.0; UL94-V0; RoHS Compliant



Width	Height	Material	Finishing
Compact	Single	Aluminum	Chromate with Optional Overlay
Mid-Size	Single	Aluminum	Chromate with Optional Overlay
Full-Size	Single	Aluminum	Chromate with Optional Overlay
Compact	Double	Aluminum	Chromate with Optional Overlay
Mid-Size	Double	Aluminum	Chromate with Optional Overlay
Full-Size	Double	Aluminum	Chromate with Optional Overlay



sales@xtech-outside.com
358 North Street, Randolph, MA 02368
www.XTech-Outside.com
US Sales: 1-888-444-1644
China Sales: 86-592-5765365

Available with Optional Air Baffle