



AMC Front Panel Assemblies for FMC's AMC.0 REL2.0



FEATURES

Lightweight Extruded Aluminum Profiles

Snag-Resistant Gasket Curb also enhances EMI Integrity

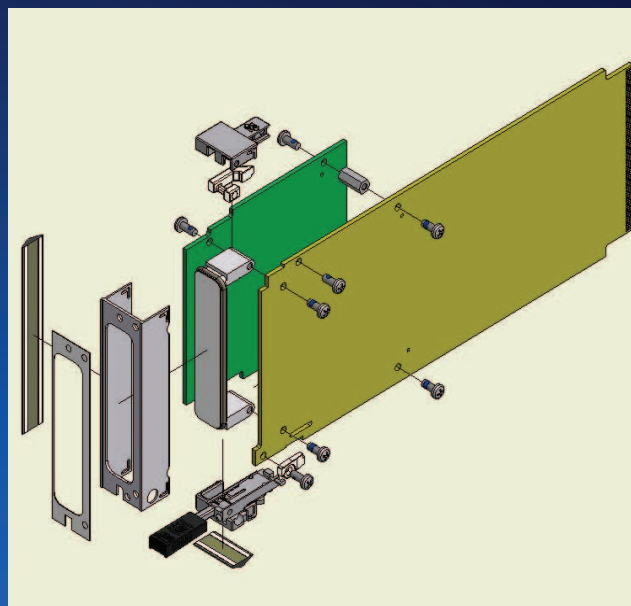
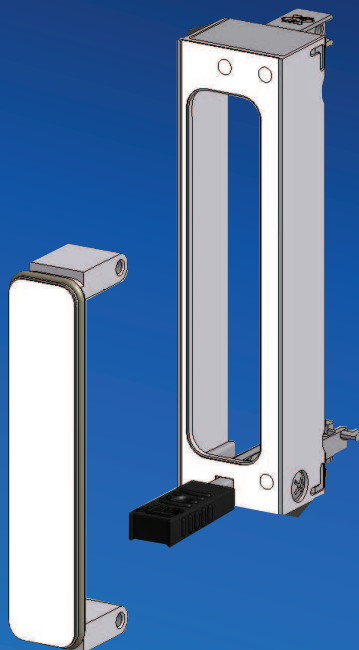
Overlay Gallery to Ensure Crisp Aesthetics

Tapered Lead-in on Side Flanges to Guarantee Smooth Insertion

Custom Overlays Available

Maximum Face Area Available for I/O Features

Assembled and Ready to Attach to Your Host FPGA Card and FMC Mezzanine



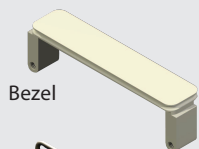
(PCB BOARDS SHOWN FOR REFERENCE ONLY)

WWW.XTECH-OUTSIDE.COM | 1 - 8 8 8 - 4 4 4 - 1 6 4 4

XTech — The Front Panel Source

RELATED PRODUCTS

FMC Bezels



Bezel



O-ring



Philips Pan Head Screw

Each FMC Bezel kit contains:
1 Bezel
1 O-ring
4 Screws

Sold in qty. of 10 kits
P/N for a package of 10 kits #125749

MATERIAL SPECIFICATION

Extruded Aluminum

FINISH SPECIFICATION

Standard Finish

Aluminum - Chromate with Overlay

Special Finishing Options

Powder Coat

Labeling

Silkscreening (single or multicolor)

Mylar Overlays





Visit www.xtech-outside.com





AMC Front Panel Assemblies for FMC's
AMC.0 REL2.0

AMC FACE THICKNESS 2.5 MM, SHOWN WITHOUT PCB'S AND BEZELS

Product	Description	Finish	Size
	AMC with Single FMC Cutout; includes Lightpipe, hot swap AMC handle, all board mounting hardware	Aluminum, Chromate; optional Overlay or Silkscreening	Single Midsize
	AMC with Single FMC Cutout; includes Lightpipe, hot swap AMC handle, all board mounting hardware	Aluminum, Chromate; optional Overlay or Silkscreening	Single Full
	AMC with 2 FMC Cutouts; includes Lightpipe, hot swap AMC handle, all board mounting hardware	Aluminum, Chromate; optional Overlay or Silkscreening	Double Midsize
	AMC with 2 FMC Cutouts; includes Lightpipe, hot swap AMC handle, all board mounting hardware	Aluminum, Chromate; optional Overlay or Silkscreening	Double Full

AVAILABLE CONFIGURATIONS

Midsize and Full size AMC

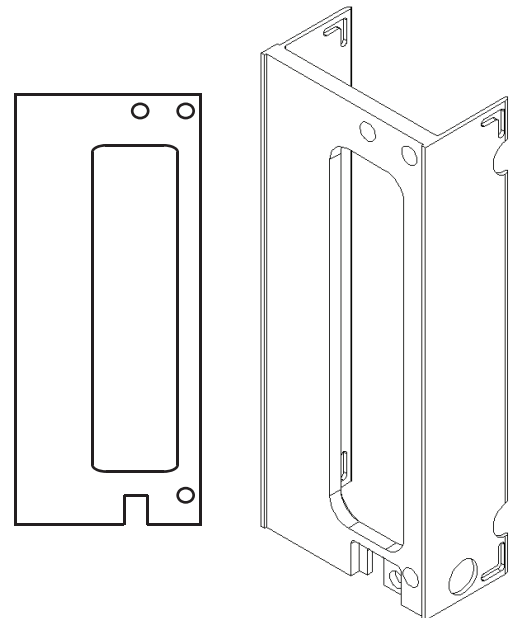
Single and Double Wide

2.5mm Face Thickness for Maximum EMI Envelope - and Proper Mating with FMC O-ring Gasket

SPECIFICATION COMPLIANCE

VITA 57 FMC

PICMG AMC.0



sales@xtech-outside.com

358 North Street, Randolph, MA 02368

www.XTech-Outside.com

US Sales: 1-888-444-1644

China Sales: 86-592-5765365