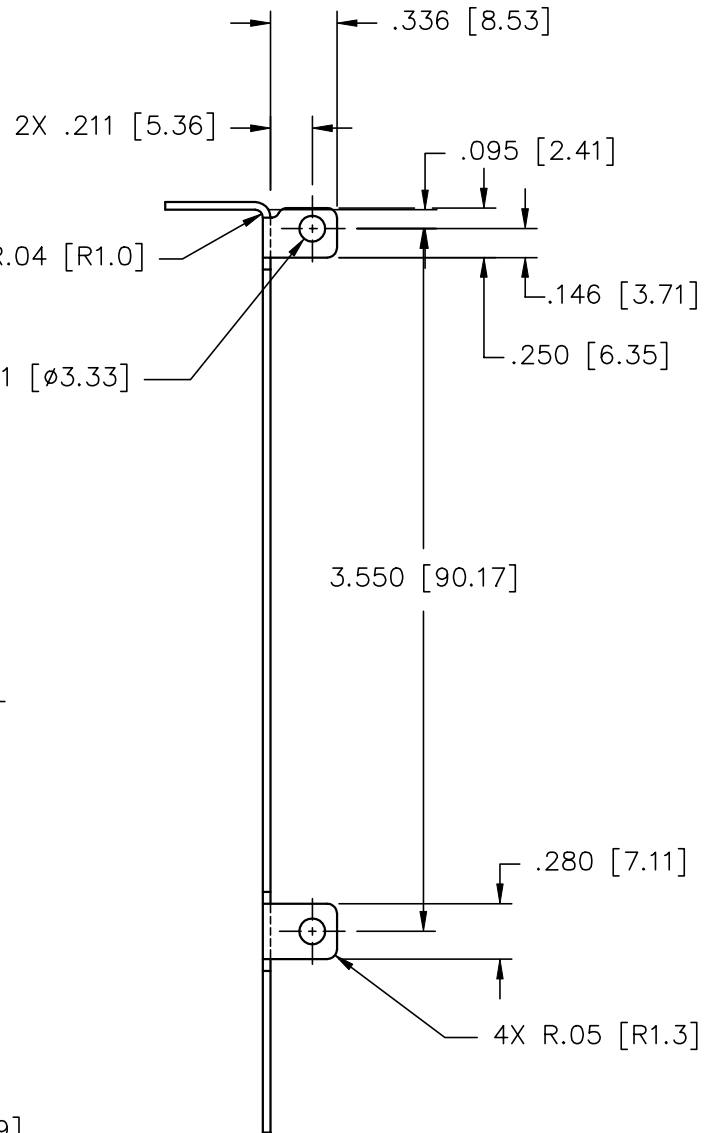
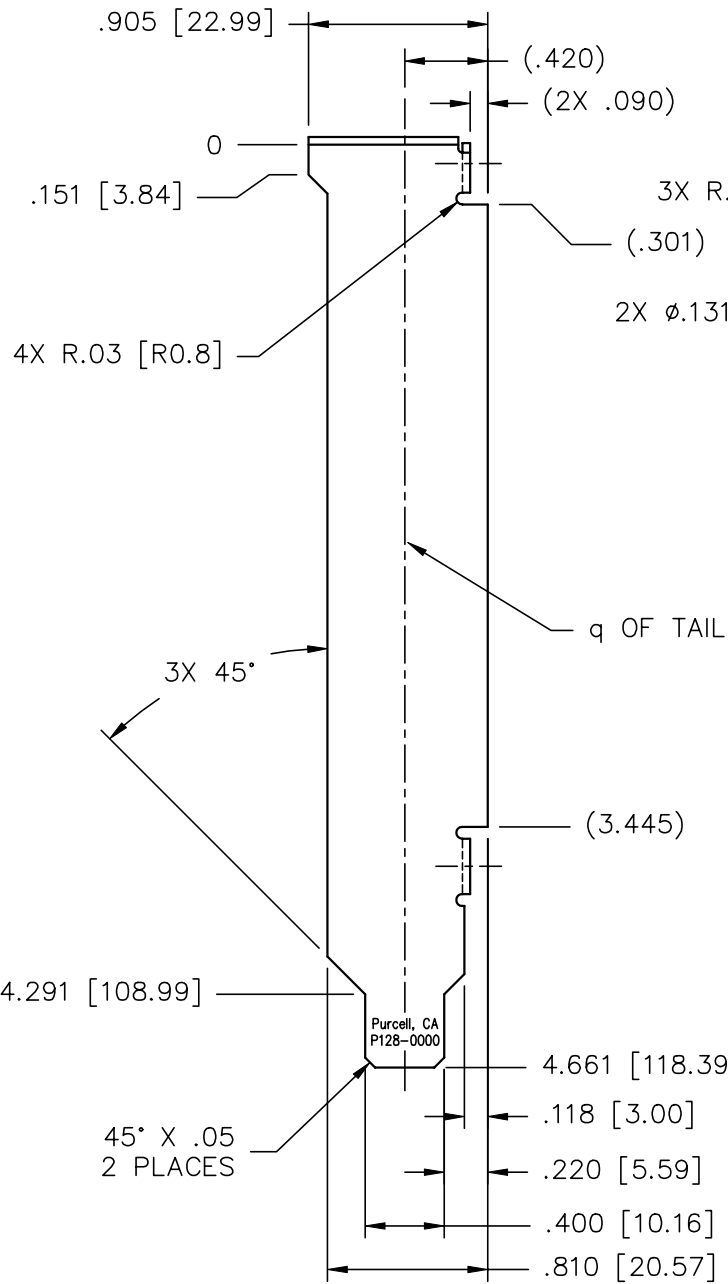
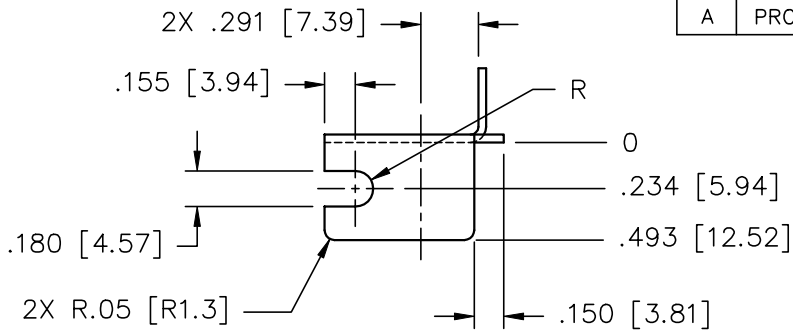


REV	DESCRIPTION	DRW	APR	DATE
A	PRODUCTION RELEASE	TM	JP	03.10.98



PROPRIETARY STATEMENT
 THIS DOCUMENT CONTAINS INFORMATION THAT IS PROPRIETARY TO PURCELL BRACKETS INC. REPRODUCTION, DISCLOSURE, OR USE OF THE CONTENTS OF THIS DOCUMENT IS EXPRESSLY PROHIBITED WITHOUT PRIOR WRITTEN AUTHORIZATION BY PURCELL BRACKETS INC.

CUSTOMER: NONE

CUSTOMER P/N: NONE

TOLERANCES
 STD ± .01
 RAD ± .01
 DIA ± .005
 MAT ± .002
 ANG ± 1°

DIMS IN INCHES[MM]

MATERIAL:
 .039' THK CRS

FINISH:
 BRIGHT NICKEL

APPROVAL:
 JP

DRAWN:
 ERJ

DATE:
 03.10.98

SCALE:
 1:1

Purcell Brackets, Inc.
 275 CENTRAL TERRACE, STE. E
 BRENTWOOD, CA 94513
 PHONE (925) 513-4200
 FAX (925) 513-1370
 WWW.PURCELLBRACKETS.COM

DESCRIPTION
 BRACKET, ISA, 2X TAB THRU, BLANK

DRAWING NO.
 P128-0000

REV
 A

THIRD ANGLE PROJECTION