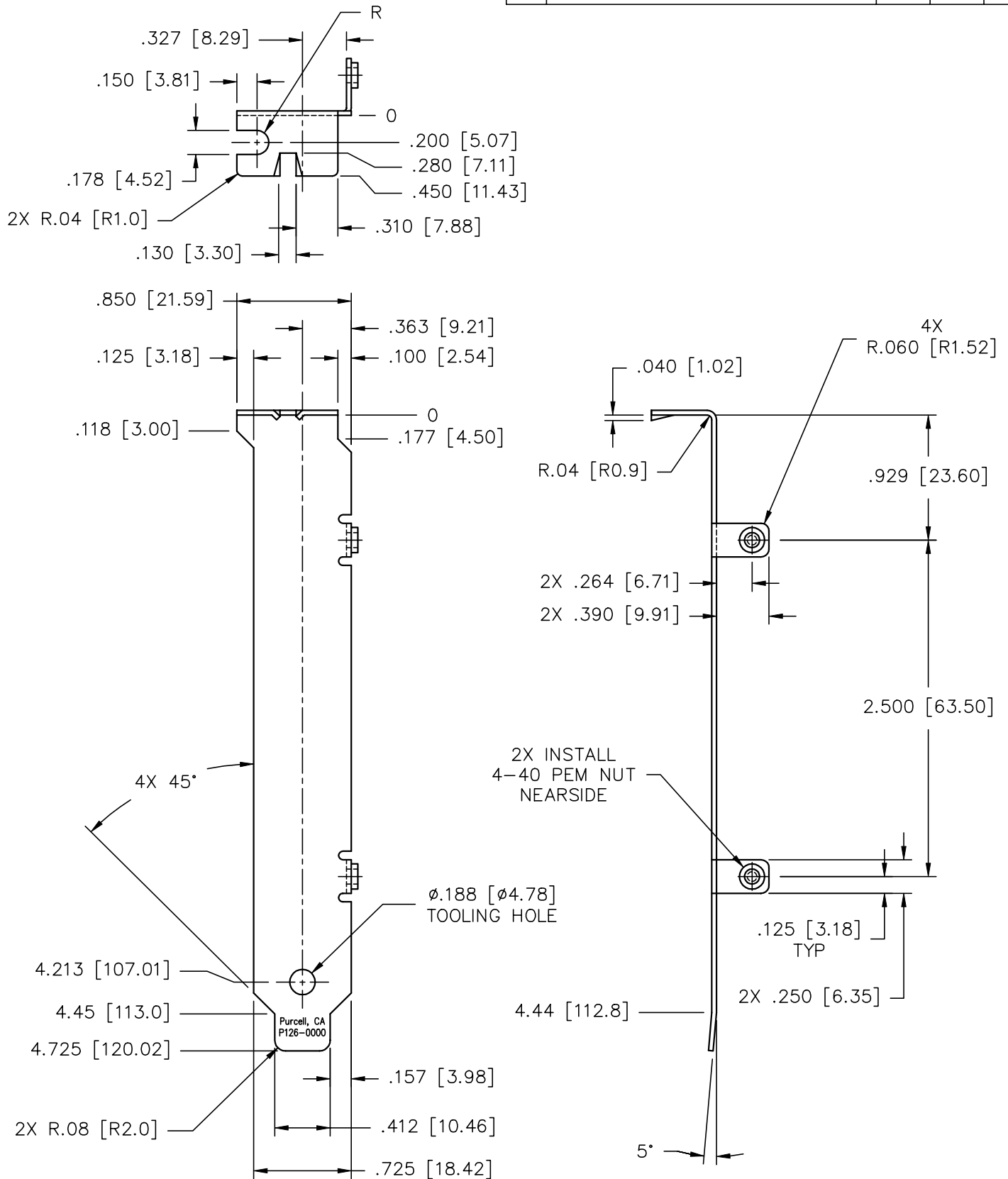


REV	DESCRIPTION	DRW	APR	DATE
A	INITIAL PRODUCTION RELEASE	TM	JP	05.16.00



PROPRIETARY STATEMENT

THIS DOCUMENT CONTAINS INFORMATION THAT IS PROPRIETARY TO PURCELL BRACKETS INC. REPRODUCTION, DISCLOSURE, OR USE OF THE CONTENTS OF THIS DOCUMENT IS EXPRESSLY PROHIBITED WITHOUT PRIOR WRITTEN AUTHORIZATION BY PURCELL BRACKETS INC.

TOLERANCES

STD..... +/- .01
 RAD..... +/- .01
 DIA..... +/- .005
 MAT..... +/- .002
 ANG..... 1°
 DIMS IN INCHES[MM]

MATERIAL:

.035" THK CRS
 FINISH:
 BRIGHT NICKEL
 APPROVAL:
 JP
 DRAWN:
 TM



275 CENTRAL TERRACE, STE. E
 BRENTWOOD, CA 94513
 PHONE (925) 513-4200
 FAX (925) 513-1370

DESCRIPTION

BRACKET, PC, 2X TAB, WITH PEM NUT, BLANK

CUSTOMER: NONE

CUSTOMER P/N: NONE

DATE: 06.23.99
 SCALE: 1:1

DRAWING NO.

P126-0000

REV

A

WWW.PURCELLBRACKETS.COM