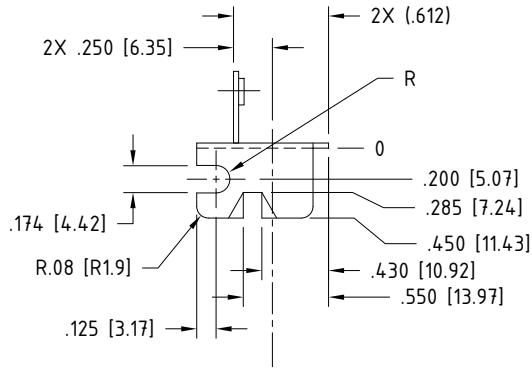
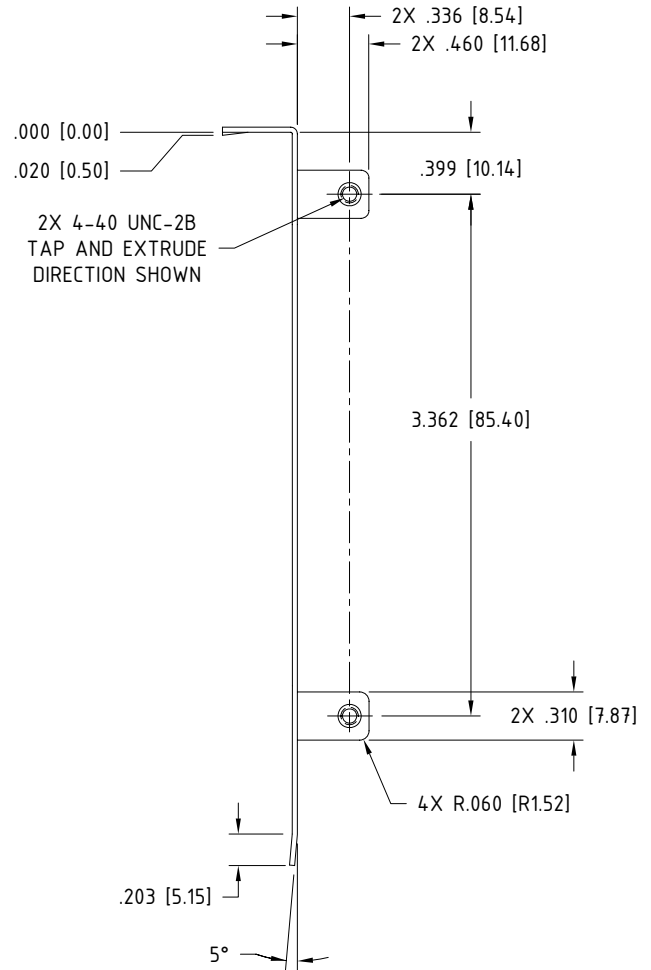
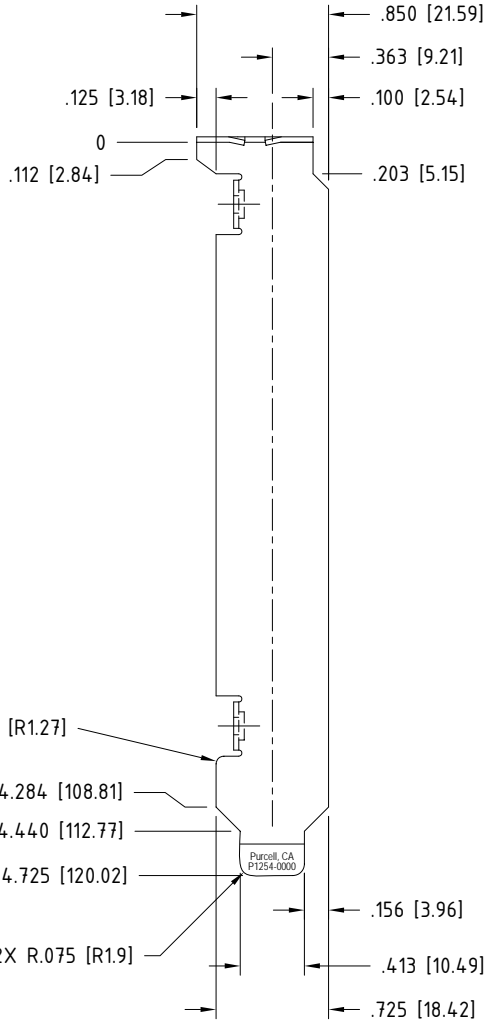


REV	DESCRIPTION	DRW	APR	DATE
A	PRODUCTION RELEASE, ECO 1206	TM	JS	10/12/05
B	REMOVE RIB ON LEFT EDGE, ECO 2673	TM	TT	08/11/08



NOTES: UNLESS OTHERWISE SPECIFIED

- 1 DEBURR SHARP EDGES
- 2 USE MIN BEND RELIEF AND RADII



2X 4-40 UNC-2B
TAP AND EXTRUDE
DIRECTION SHOWN

PROPRIETARY STATEMENT
THIS DOCUMENT CONTAINS INFORMATION THAT IS PROPRIETARY TO PURCELL TECHNOLOGIES INC. REPRODUCTION, DISCLOSURE, OR USE OF THE CONTENTS OF THIS DOCUMENT IS EXPRESSLY PROHIBITED WITHOUT PRIOR WRITTEN AUTHORIZATION BY PURCELL TECHNOLOGIES INC.
FORMAT DOCUMENT NO:
QR300012 Rev A
CUSTOMER:
INTEL ISRAEL
CUSTOMER P/N
NONE

TOLERANCES
STD ± .01
RAD ± .01
DIA ± .005
MAT ± .002
ANG ± 1°
DIMS IN INCHES[MM]

MATERIAL:
.033 [0.86mm] THK CRS
FINISH:
BRIGHT NICKEL
COSMETIC CLASS:
CLASS C
COSMETIC INSPECTION:
TABLE II
RoHS COMPLIANT (Y/N):
YES
LEAD FREE (Y/N):
YES

161 SAND CREEK ROAD
BRENTWOOD, CA 94513
PHONE (925) 513-4200
FAX (925) 513-1370
WWW.PURCELLTECH.COM

DESCRIPTION
BRACKET, PCI, 2X TAB,
BLANK

DRAWING NO.
P1254-0000

REV
B

SCALE:
1:1

THIRD ANGLE PROJECTION

SHEET 1 OF 1