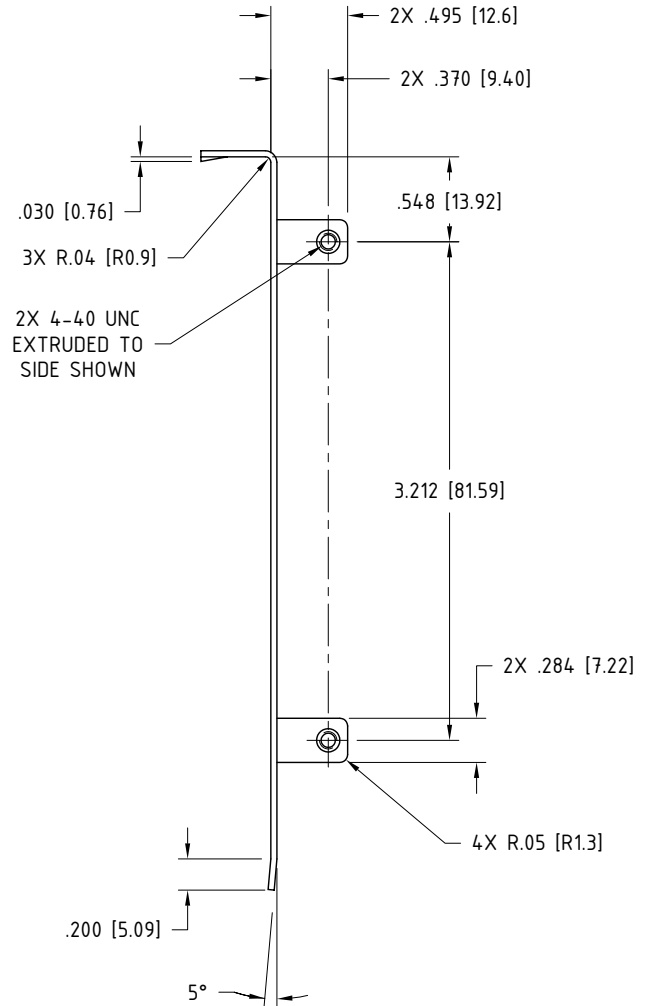
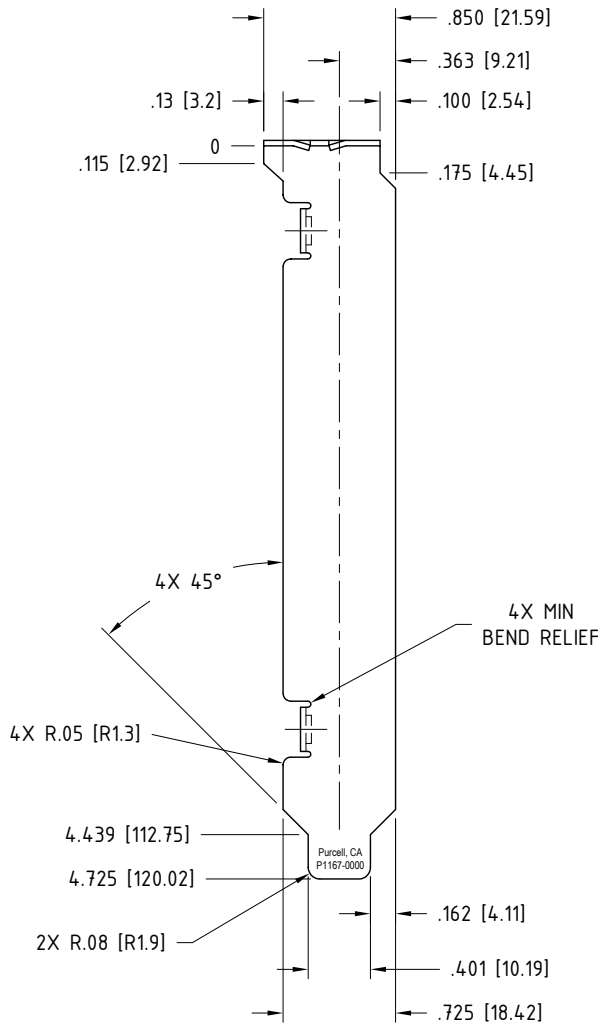
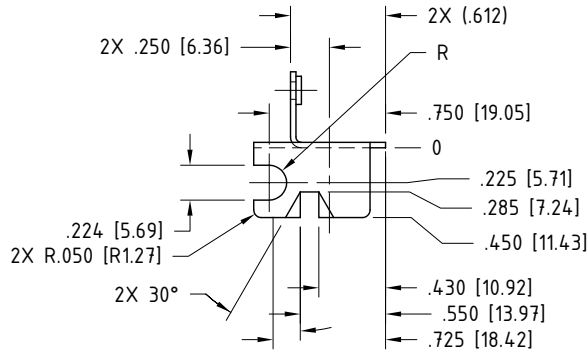


REV	DESCRIPTION	DRW	APR	DATE
A	PRODUCTION RELEASE, ECO 1244	TM	ML	11/17/05



**PROPRIETARY STATEMENT**  
 THIS DOCUMENT CONTAINS INFORMATION THAT IS PROPRIETARY TO PURCELL TECHNOLOGIES INC. REPRODUCTION, DISCLOSURE, OR USE OF THE CONTENTS OF THIS DOCUMENT IS EXPRESSLY PROHIBITED WITHOUT PRIOR WRITTEN AUTHORIZATION BY PURCELL TECHNOLOGIES INC.  
 FORMAT DOCUMENT NO:  
 QR300012 Rev A

CUSTOMER: NONE

CUSTOMER P/N: NONE

**TOLERANCES**  
 STD ± .01  
 RAD ± .01  
 DIA ± .005  
 MAT ± .002  
 ANG ± 1°

DIMS IN INCHES[MM]

**MATERIAL:**  
 .036" THK CRS

**FINISH:**  
 BRIGHT NICKEL

**COSMETIC CLASS:**  
 CLASS C

**COSMETIC INSPECTION:**  
 TABLE II

**RoHS COMPLIANT (Y/N):**  
 YES

**LEAD FREE (Y/N):**  
 YES

161 SAND CREEK ROAD  
 BRENTWOOD, CA 94513  
 PHONE (925) 513-4200  
 FAX (925) 513-1370  
 WWW.PURCELLTECH.COM

**DESCRIPTION**  
 BRACKET, PCI, 2X TAB, BLANK

DRAWING NO. P1167-0000

REV A

SCALE: 1:1

THIRD ANGLE PROJECTION

SHEET 1 OF 1