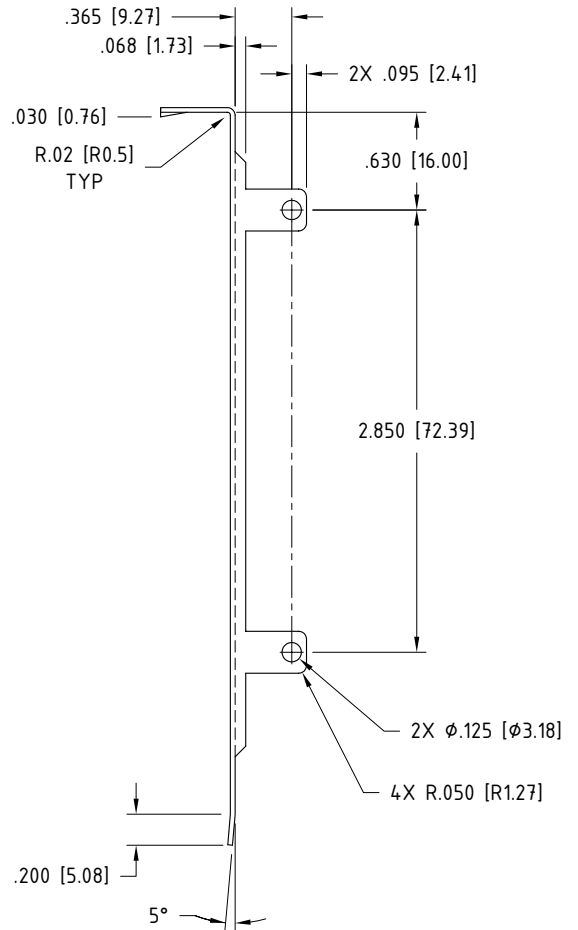
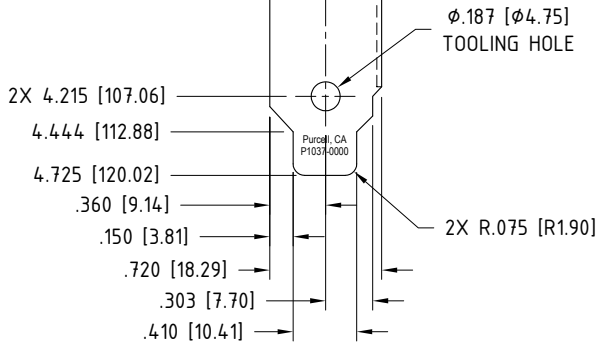
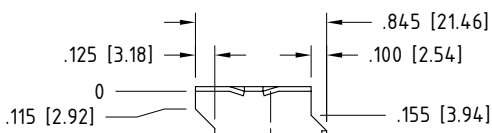
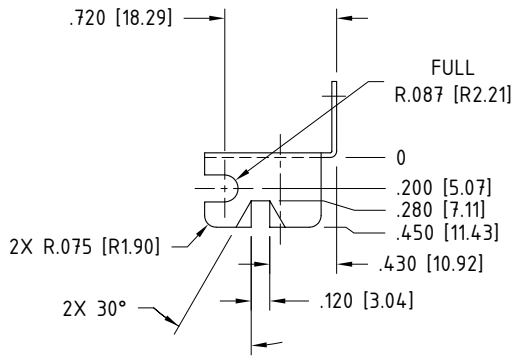


REV	DESCRIPTION	DRW	APR	DATE
A	PRODUCTION RELEASE, ECO 1001	TM	JS	02/11/05



PROPRIETARY STATEMENT
 THIS DOCUMENT CONTAINS INFORMATION THAT IS PROPRIETARY TO PURCELL BRACKETS INC. REPRODUCTION, DISCLOSURE, OR USE OF THE CONTENTS OF THIS DOCUMENT IS EXPRESSLY PROHIBITED WITHOUT PRIOR WRITTEN AUTHORIZATION BY PURCELL BRACKETS INC.

CUSTOMER:
MOTION ENGINEERING INC.

CUSTOMER P/N
NONE

TOLERANCES
 STD ± .01
 RAD ± .01
 DIA ± .005
 MAT ± .002
 ANG ± 1°
 DIMS IN INCHES[MM]

MATERIAL:
 .030 CRS 1/2 HARD

FINISH:
 BRIGHT NICKEL

APPROVAL:
 JP

DRAWN:
 TM

DATE:
 02/11/05

SCALE:
 1:1

Purcell Technologies, Inc.
 161 SAND CREEK ROAD
 BRENTWOOD, CA 94513
 PHONE (925) 513-4200
 FAX (925) 513-1370
 WWW.PURCELLBRACKETS.COM

DESCRIPTION
 BRACKET, PC, 2X TAB, RIB BLANK

DRAWING NO.
 P1137-0000

REV
 A

THIRD ANGLE PROJECTION