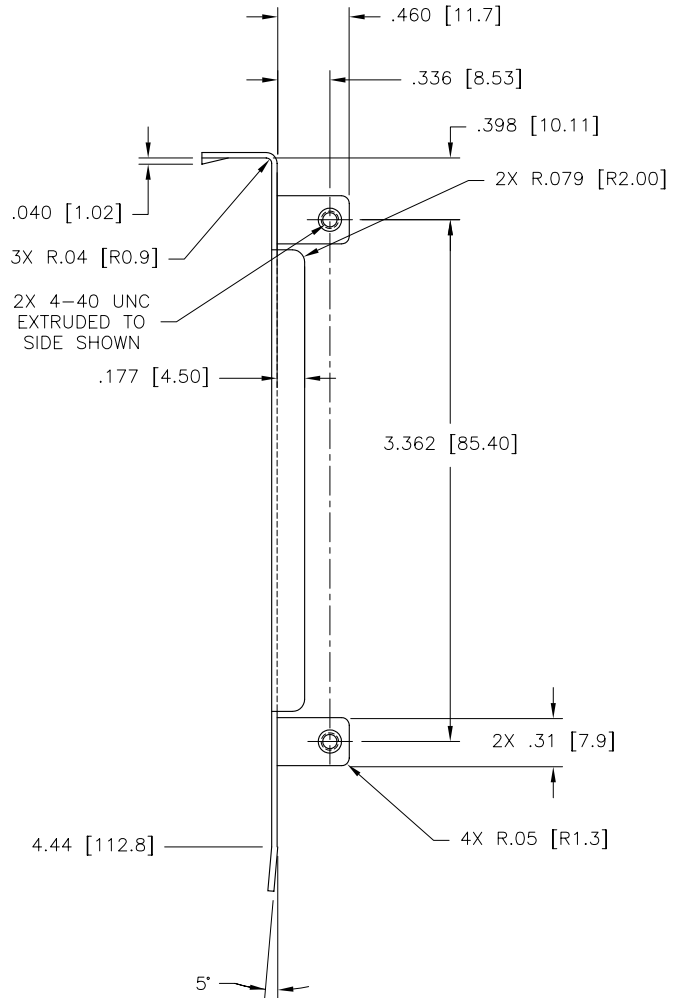
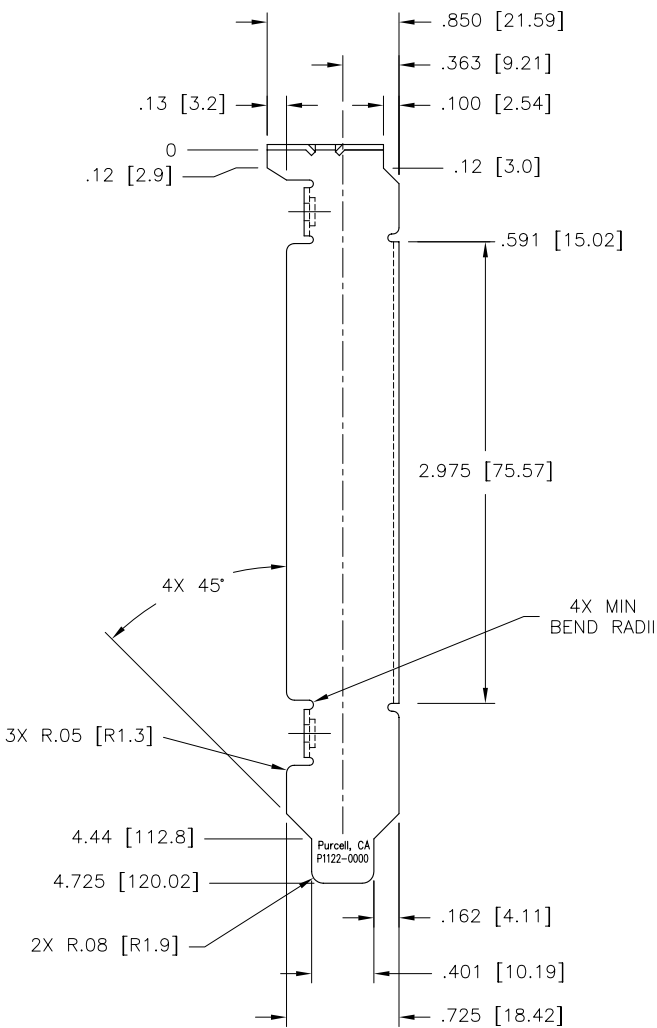
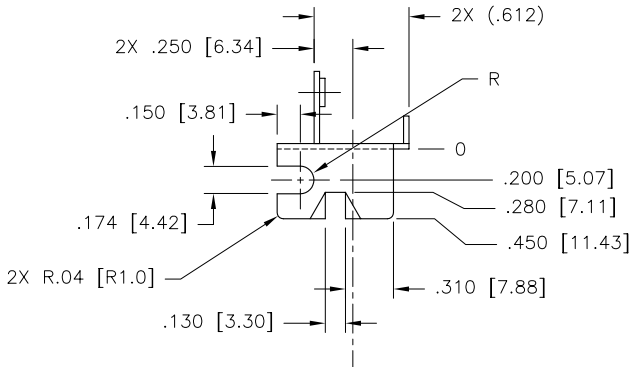


REV	DESCRIPTION	DRW	APR	DATE
00	INITIAL SKETCH : SK00549	TM	ML	07.16.04
A	PRODUCTION RELEASE, ECO 0910	TM	ML	09/14/04

NOTES: UNLESS OTHERWISE SPECIFIED

- DO NOT INCLUDE TOOLING HOLE FOR THIS BRACKET
- SIMILAR TO P1034-0000 WITH MODIFIED RIB



PROPRIETARY STATEMENT
 THIS DOCUMENT CONTAINS INFORMATION THAT IS PROPRIETARY TO PURCELL BRACKETS INC. REPRODUCTION, DISCLOSURE, OR USE OF THE CONTENTS OF THIS DOCUMENT IS EXPRESSLY PROHIBITED WITHOUT PRIOR WRITTEN AUTHORIZATION BY PURCELL BRACKETS INC.

CUSTOMER: NONE

CUSTOMER P/N: NONE

TOLERANCES
 STD ± .01
 RAD ± .01
 DIA ± .005
 MAT ± .002
 ANG ± 1°
 DIMS IN INCHES[MM]

MATERIAL:
 .035" THK CRS

FINISH:
 BRIGHT NICKEL

APPROVAL:
 JP

DRAWN:
 TM

DATE:
 04.12.02

SCALE:
 NTS

Purcell Technologies, Inc.
 275 CENTRAL TERRACE, STE. E BRENTWOOD, CA 94513
 PHONE (925) 513-4200
 FAX (925) 513-1370
 WWW.PURCELLBRACKETS.COM

DESCRIPTION
 BRACKET, PCI, 2X TAB 4-40, RIB, BLANK

DRAWING NO.
 P1122-0000

REV
 A

THIRD ANGLE PROJECTION