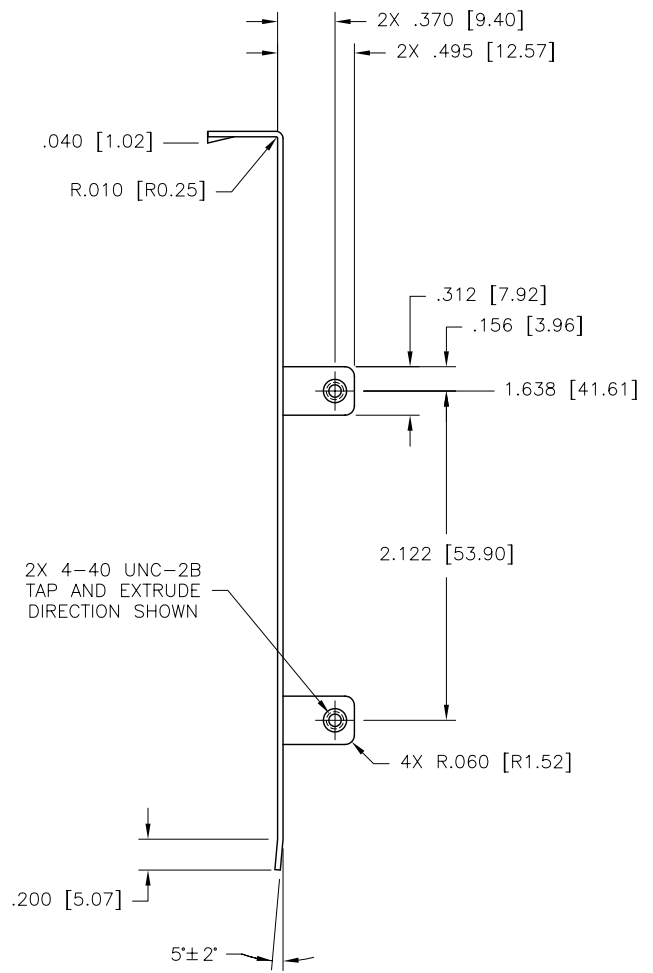
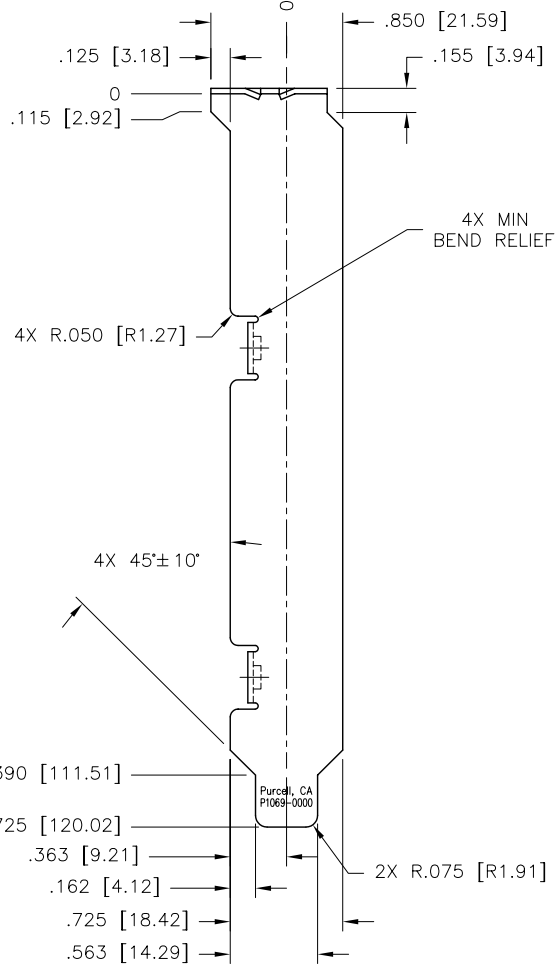
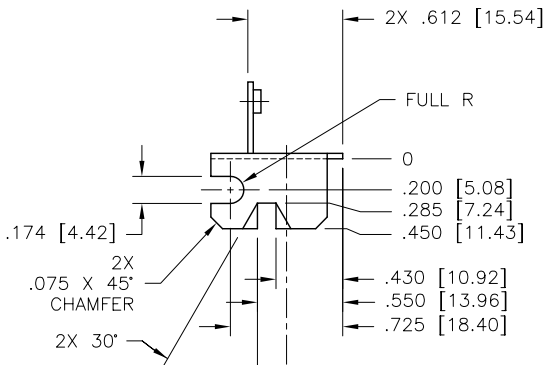


REV	DESCRIPTION	DRW	APR	DATE
A	PRODUCTION RELEASE ECO 641	TM	JP	07.03.03



PROPRIETARY STATEMENT
 THIS DOCUMENT CONTAINS INFORMATION THAT IS PROPRIETARY TO PURCELL BRACKETS INC. REPRODUCTION, DISCLOSURE, OR USE OF THE CONTENTS OF THIS DOCUMENT IS EXPRESSLY PROHIBITED WITHOUT PRIOR WRITTEN AUTHORIZATION BY PURCELL BRACKETS INC.

CUSTOMER: NONE

CUSTOMER P/N: NONE

TOLERANCES

STD	± .01
RAD	± .01
DIA	± .005
MAT	± .002
ANG	± 1°

DIMS IN INCHES[MM]

MATERIAL:
 .035" THK CRS

FINISH:
 BRIGHT NICKEL

APPROVAL:
 JP

DRAWN:
 TM

DATE:
 07.03.03

SCALE:
 NTS

Purcell Brackets, Inc.
 275 CENTRAL TERRACE, STE. E
 BRENTWOOD, CA 94513
 PHONE (925) 513-4200
 FAX (925) 513-1370
 WWW.PURCELLBRACKETS.COM

DESCRIPTION
 BRACKET, PCI, 2X TAB, BLANK

DRAWING NO.
 P1069-0000

REV
 A

THIRD ANGLE PROJECTION