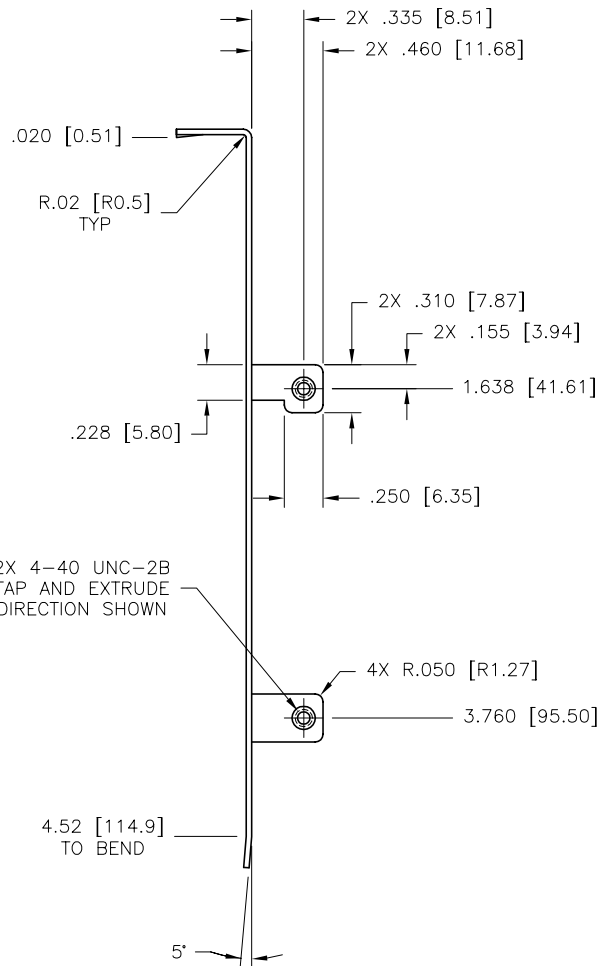
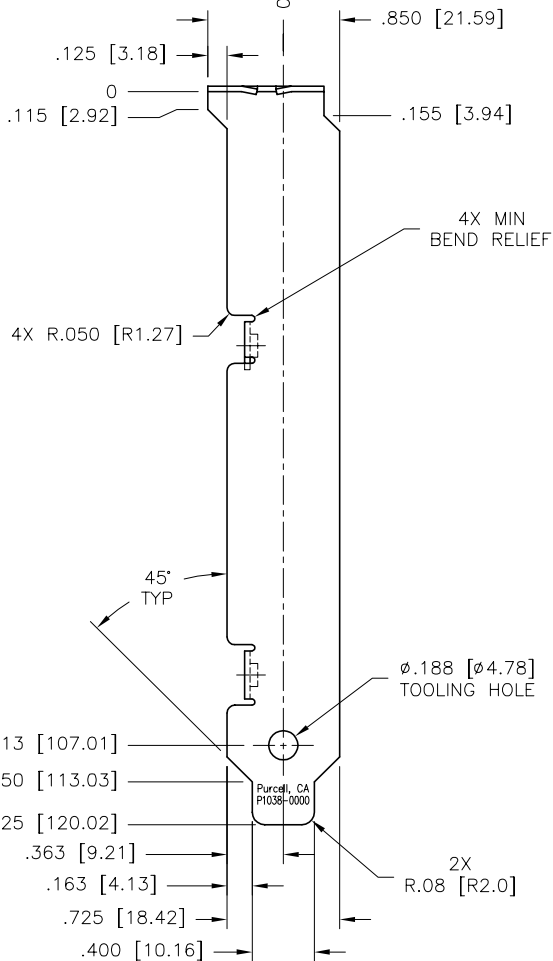
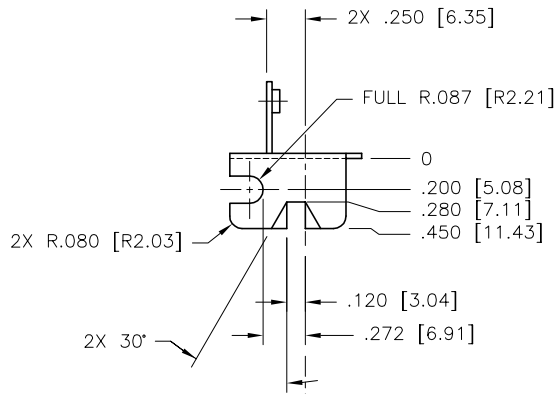


REV	DESCRIPTION	DRW	APR	DATE
A	PRODUCTION RELEASE ECO 462	TM	JP	05.28.02



PROPRIETARY STATEMENT
 THIS DOCUMENT CONTAINS INFORMATION THAT IS PROPRIETARY TO PURCELL BRACKETS INC. REPRODUCTION, DISCLOSURE, OR USE OF THE CONTENTS OF THIS DOCUMENT IS EXPRESSLY PROHIBITED WITHOUT PRIOR WRITTEN AUTHORIZATION BY PURCELL BRACKETS INC.

TOLERANCES
 STD ± .01
 RAD ± .01
 DIA ± .005
 MAT ± .002
 ANG ± 1°
 DIMS IN INCHES[MM]

MATERIAL:
 .035" THK CRS
FINISH:
 BRIGHT NICKEL
APPROVAL:
 JP
DRAWN:
 TM

Purcell Brackets, Inc.
 275 CENTRAL TERRACE, STE. E BRENTWOOD, CA 94513
 PHONE (925) 513-4200
 FAX (925) 513-1370
 WWW.PURCELLBRACKETS.COM

DESCRIPTION
 BRACKET, PCI, 2X TAB, BLANK

DRAWING NO.
 P1038-0000
REV
 A

THIRD ANGLE PROJECTION

CUSTOMER:
 NONE
CUSTOMER P/N
 NONE

DATE:
 05.28.02
SCALE:
 NTS