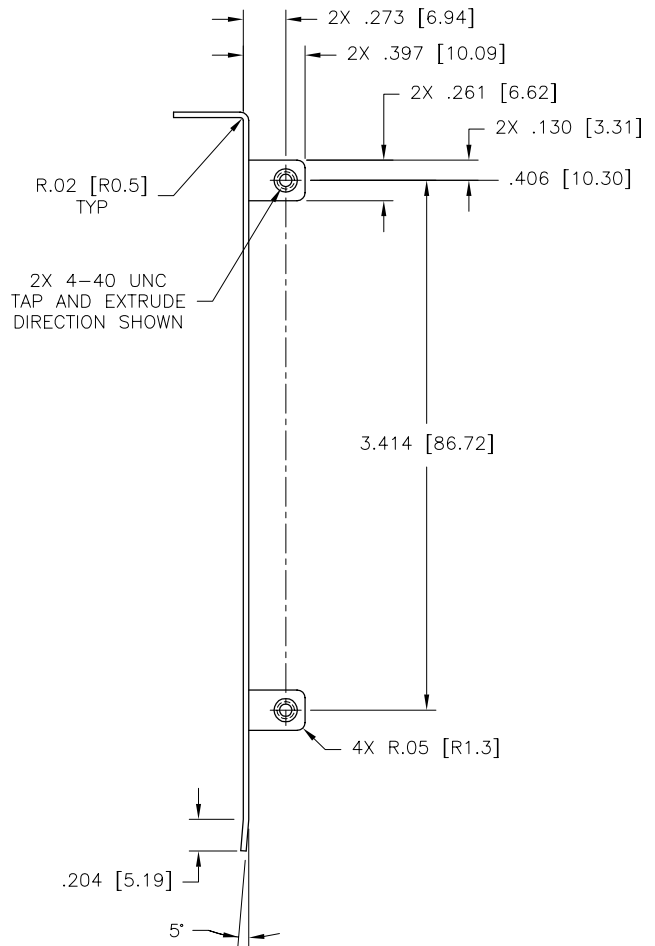
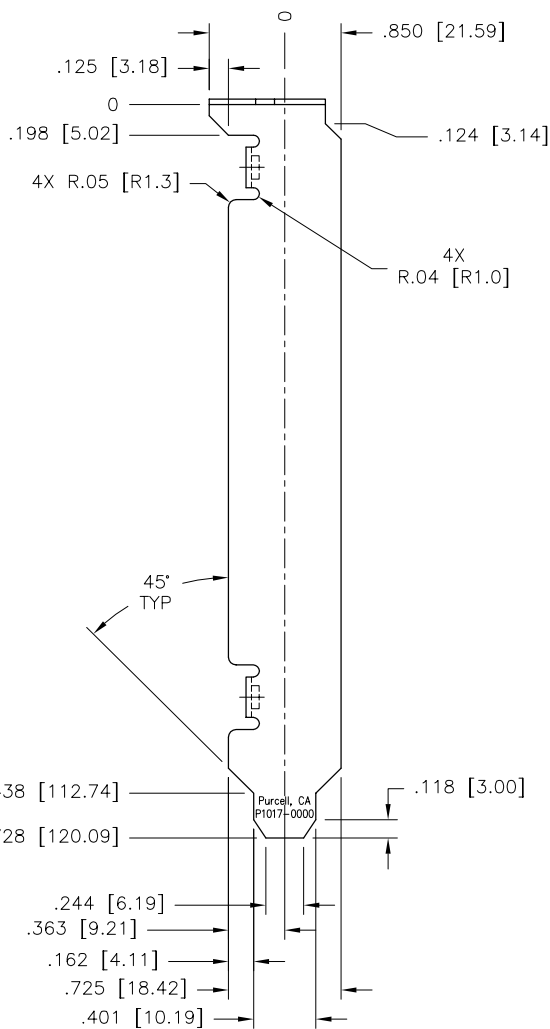
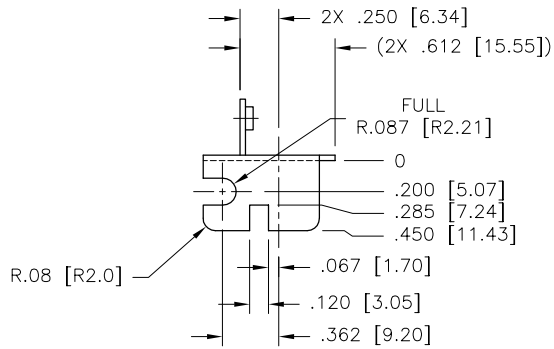


REV	DESCRIPTION	DRW	APR	DATE
A	PRODUCTION RELEASE ECO 0262	TM	JP	06.01.01



**PROPRIETARY STATEMENT**  
 THIS DOCUMENT CONTAINS INFORMATION THAT IS PROPRIETARY TO PURCELL BRACKETS INC. REPRODUCTION, DISCLOSURE, OR USE OF THE CONTENTS OF THIS DOCUMENT IS EXPRESSLY PROHIBITED WITHOUT PRIOR WRITTEN AUTHORIZATION BY PURCELL BRACKETS INC.

**TOLERANCES**  
 STD ± .01  
 RAD ± .01  
 DIA ± .005  
 MAT ± .002  
 ANG ± 1°  
 DIMS IN INCHES[MM]

**MATERIAL:**  
 .035" THK CRS  
**FINISH:**  
 BRIGHT NICKEL  
**APPROVAL:**  
 JP  
**DRAWN:**  
 TM

**Purcell Brackets, Inc.**  
 275 CENTRAL TERRACE, STE. E BRENTWOOD, CA 94513  
 PHONE (925) 513-4200  
 FAX (925) 513-1370  
 WWW.PURCELLBRACKETS.COM

**DESCRIPTION**  
 BRACKET, PCI, 2X TAB 4-40 BLANK

**DRAWING NO.**  
 P1017-0000

**REV**  
 A

THIRD ANGLE PROJECTION

**CUSTOMER:**  
 NVIDIA

**CUSTOMER P/N**  
 NONE

**DATE:**  
 06.01.01

**SCALE:**  
 4:5