



AMC Front Panel Assemblies with Retention Flange - uTCA
REL.1.0 Compliant for Robust Applications



FEATURES

Increased Locking Security for use in Robust Applications Including High Shock and Vibration Environments

Light Weight, Robust Aluminum Profile

Snag-Resistant Gasket Curb also Enhances EMI Integrity

1.0mm Thick Face for Robust Connector Retention and Grounding

Custom I/O Cutouts Included for Board I/O

The Perfect Solution to Insure AMC's and UTCA Boards Remain Secure in High Shock and Vibration Applications!



WWW.XTECH-OUTSIDE.COM | 1-888-444-1644

XTech — The Front Panel Source

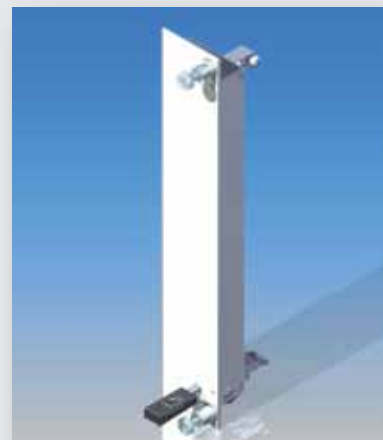
Available Configurations

Compact, Mid-Size and Full-Size

Single and Double Width

Customize with I/O Cutouts and Labelling to Meet Your Application Requirements

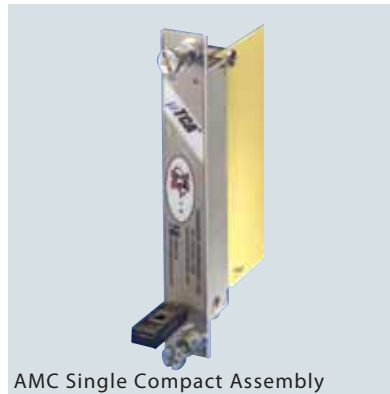
Filler Panel Configurations also Available to Complete Your System Requirements





Front Panel Assemblies with Retention Flange - uTCA REL.1.0 Compliant for Robust Applications

Front Panel Assemblies



AMC Single Compact Assembly



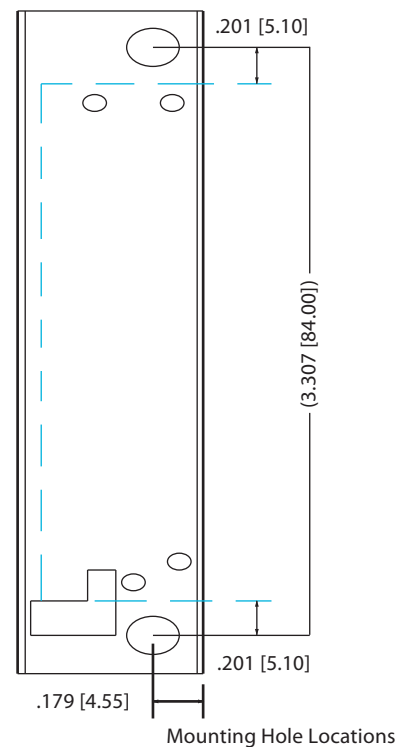
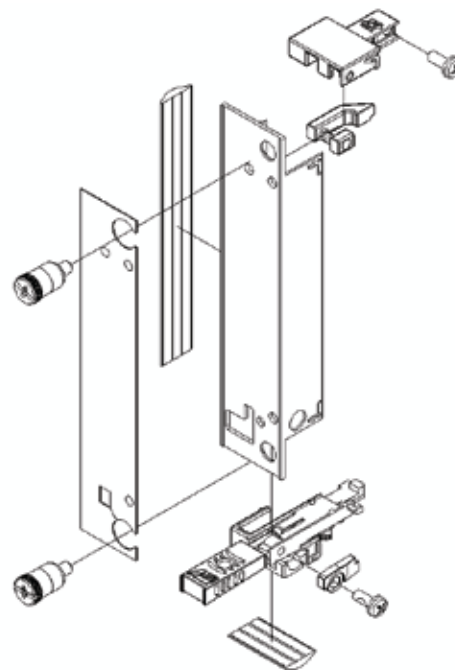
AMC Double Compact Assembly



AMC Single Mid-Size Assembly



AMC Single Full-Size Assembly



Front Panel Selection Guide

Height	Width	Material	Finishing
Single	Compact	Aluminum	Chromate with Optional Overlay
Single	Mid-Size	Aluminum	Chromate with Optional Overlay
Single	Full-Size	Aluminum	Chromate with Optional Overlay
Double	Compact	Aluminum	Chromate with Optional Overlay
Double	Mid-Size	Aluminum	Chromate with Optional Overlay
Double	Full-Size	Aluminum	Chromate with Optional Overlay

Available with Optional Air Baffle

Specifications

Panels - Aluminum with Retention Flanges

M3 Captive Screws - Stainless Steel and Zinc Chromate over Steel

Dual Light Pipe (on Front Panel Configurations Only) - Polycarbonate

EMI Gaskets - Fabric over Foam

Overlay - 0.25mm Velvet Matte Polycarbonate for Aesthetic Appearance

Specification Compliance - PICMG uTCA Rel 1.0; UL94-V0; RoHS Compliant



sales@xtech-outside.com

358 North Street, Randolph, MA 02368

www.XTech-Outside.com

US Sales: 1-888-444-1644

China Sales: 86-592-5765365