

Aluminum Enclosure Product Applications



FEATURES



Industrial Cameras

Wireless Transmitters



Industrial Instrumentation

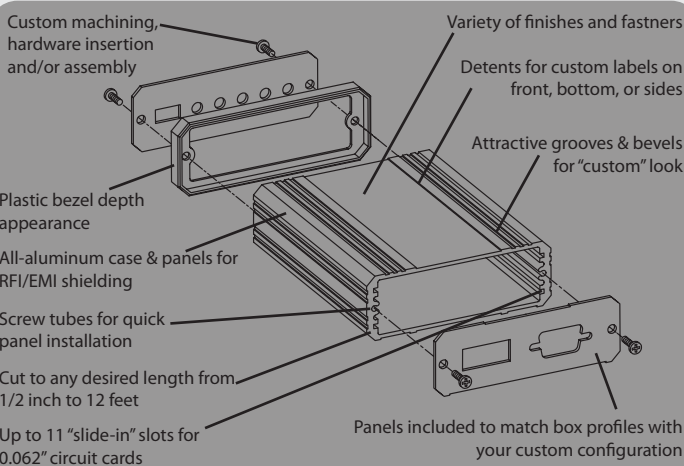


Global Positioning Systems (GPS)

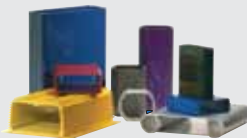


WWW.XTECH-OUTSIDE.COM | 1 - 8 8 8 - 4 4 4 - 1 6 4 4

CUSTOMIZATION CAPABILITIES



Color / Finish:



XTech offers a wide range of powder coat, and plating in anodized finishes.

Labelling:



From logos to custom labelling, we can provide the solution to meet your application requirements, including silkscreening or overlays. Let us help with your artwork or design.

Custom Cutouts:



We will assist you in customizing the enclosure solutions: special sizes or shapes - NO PROBLEM! We provide 3D models to facilitate layout including connector and LED cutouts, handle mounting, etc.

Industrial Instrumentation

OVERVIEW

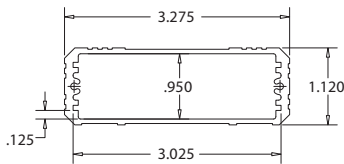
Industrial instrumentation refers to those electronic devices that are used to monitor, control, record or display a variety of processes having to do with temperature, pressure, flow, level, conductivity, weight, volume and other measurements. While many instrument manufacturers have gravitated to plastic type enclosure materials, aluminum has features that often far surpass those of plastic.

Suggested XTech enclosure models for Instrumentation:

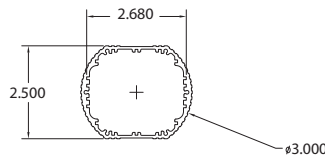
RS-3010

RS-3025

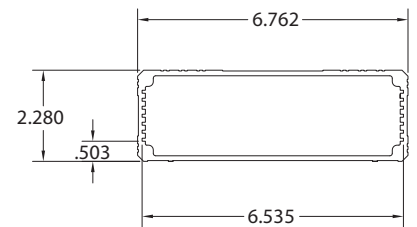
RS-6520S



RS-3010



RS-3025



RS-6520S

OTHER INFORMATION

Customized card slot sizes

Built-in heat sinks

Machined holes, slots and grooves

Custom silkscreening

Any finish: painting, anodizing, nickel plating

Wireless Transmitters

OVERVIEW

Wireless is a relatively new technology that allows the transmission of signals between controls without the use of land lines or cabling. From wireless phones to wireless internet to wireless industrial controls, the technology is rapidly evolving and leading to the development of products that are easier to use.

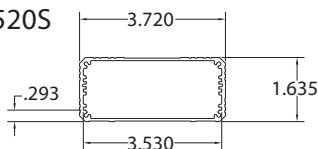
Wireless systems also have lower installation costs by eliminating the cost of conduit, wire and wire insulation labor. Typically, the system employs both a transmitter and receiver, which replace the use of handwiring.

Suggested XTech enclosure models for Wireless Transmitters:

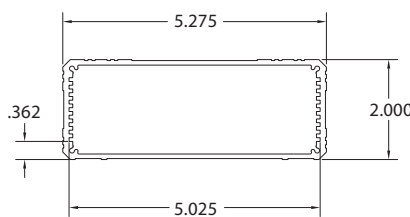
RS-3516

RS-5020

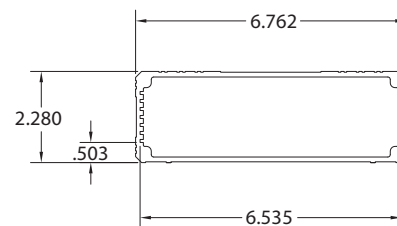
RS-6520S



RS-3516



RS-5020



RS-6520S



Global Positioning Systems (GPS)

OVERVIEW

The Global Positioning System, or GPS, is a space-based global navigation satellite system that provides reliable location and time information in all weather and at all times and anywhere on or near the Earth where there is an unobstructed line of sight to four or more GPS satellites.

Global navigation satellites continuously issue time and distance information as they orbit the Earth along precise formations. Through a process of triangulation, navigation receivers use the data to calculate an exact location. Every point is identified by two sets of numbers, called coordinates. These coordinates represent the exact point where a horizontal line, the latitude, crosses a vertical line, the longitude. The receiver locks on to at least three satellites and uses the information to determine the coordinates of the device.

Initially designed for military use, GPS systems are now widely used in commercial markets for a wide variety of applications. They assist with marine navigation, truck fleet management, and tracking for local delivery vehicles, rental cars, taxi fleets, and asset management.

KEY APPLICATIONS

Military

- Navigation
- Target Tracking
- Missile and Projectile Guidance
- Search and Rescue
- Reconnaissance and Map Creation

Civilian

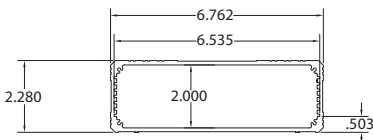
- Navigation
- Surveying

Suggested XTech enclosure models for Global Positioning Systems:

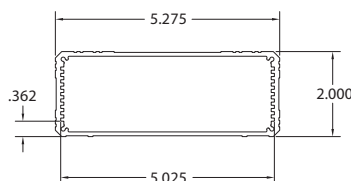
RS-3516

RS-5020

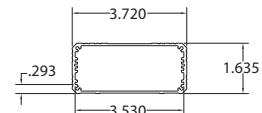
RS-6520



RS-3516



RS-5020



RS-6520

OTHER INFORMATION

Customized card slot sizes

Built-in heat sinks

Machined holes, slots and grooves

Custom silkscreening

Any finish: painting, anodizing, nickel plating



Industrial Cameras

OVERVIEW

XTech housings for specialty or industrial cameras are typically sold for those applications where weight, durability and versatility are a prerequisite. The housings are designed to encapsulate the electronics and lens assemblies.

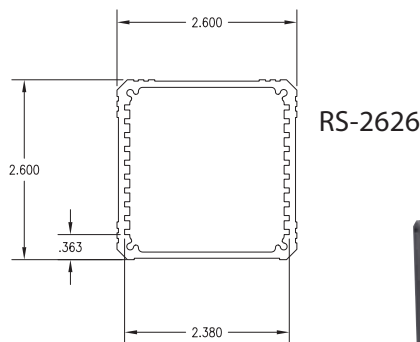
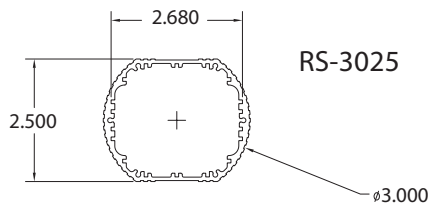
KEY APPLICATIONS

- Security
- Industrial Imaging
- Document Inspection
- Semi-conductor Inspection
- Live Cell Imaging
- Metallurgical Microscopy
- Pathology
- Manufacturing Quality Control

Suggested XTech enclosure models for Cameras:

RS-3025

RS-2626



Accessories

End Panels:



Each XTech enclosure is available with a corresponding end panel designed to match the box profile. The end panel encloses the housing and is available with a variety of cutout configurations. They're designed to accept electronic fixtures, such as power settings, I/O, DB-9 connectors, LED lamps, data ports, antenna connectors, and other connections. Customers typically provide the cutout design of each end plate, as required by the specific application.

Bezels:



XTech provides bezels, which add aesthetic value to enclosures, on the following catalog products; RS - 3010, RS - 5010, RS - 6520. (Consult XTech for additional specification and pricing.)

Gaskets:



Gaskets help prevent moisture and dust from penetrating the enclosure. They are available from XTech on the following standard catalog enclosures; RS - 6520 and RS - 4025. Custom gaskets are available for any enclosure. (Consult XTech for additional specification and pricing.)



sales@xtech-outside.com
358 North Street, Randolph, MA 02368
www.XTech-Outside.com
US Sales: 1-888-444-1644