

AdvancedMC™

Filler Panel Assemblies

AMC.0 - Blanks



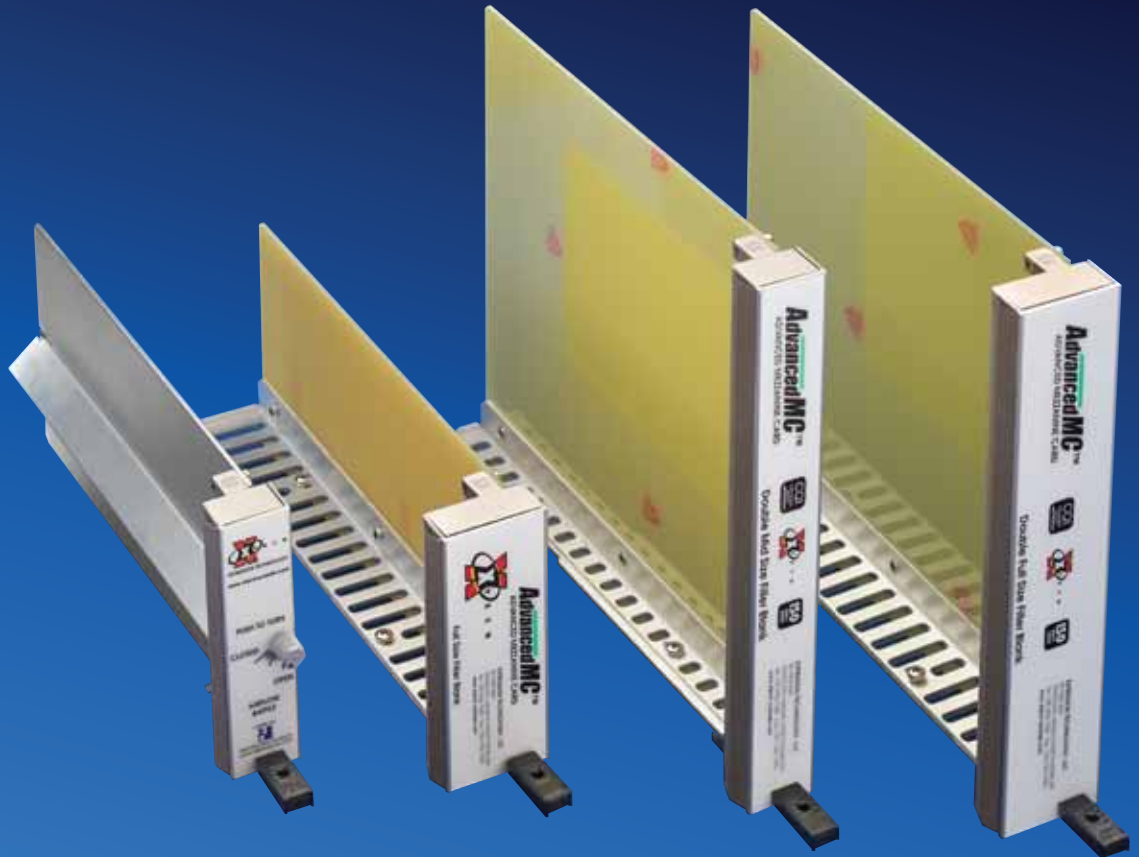
FEATURES

Available in Steel or Extruded Aluminum

Cost Effective Design for Filling AMC Slot

Available with or without Air Baffle

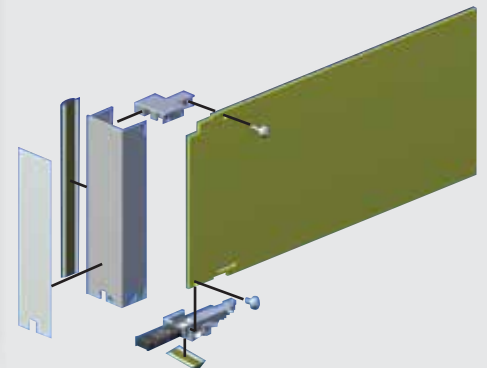
Labeling Options Include Overlays and Silkscreening



WWW.XTECH-OUTSIDE.COM | 1-888-444-1644

XTech — The Front Panel Source

QTY	Extruded Aluminum	Stainless Steel
1	Filler Panel with Clear Chromate Finish	Filler Panel with Clear Passivation Finish
2	PCB Screws with Locking Patch	PCB Screws with Locking Patch
1	Latch Handle	Latch Handle
1	EMI Gasket with Fabric over Foam	EMI Gasket with Fabric over Foam
1	FR4 Board	FR4 Board
	Overlay	



AdvancedMC™

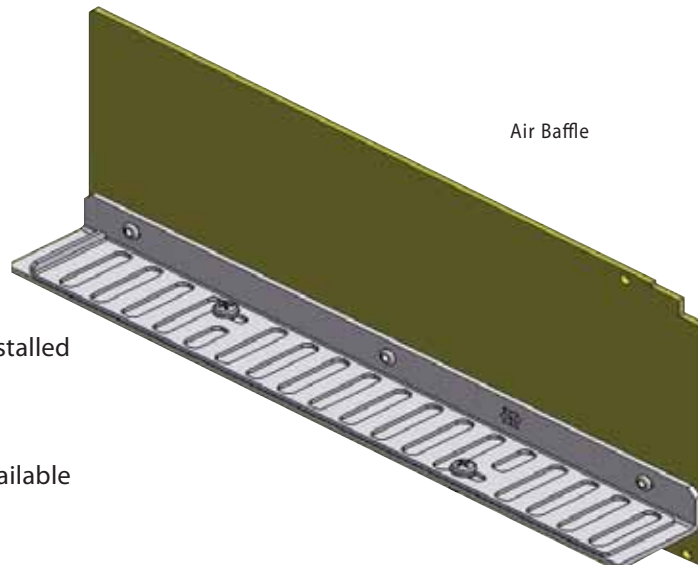
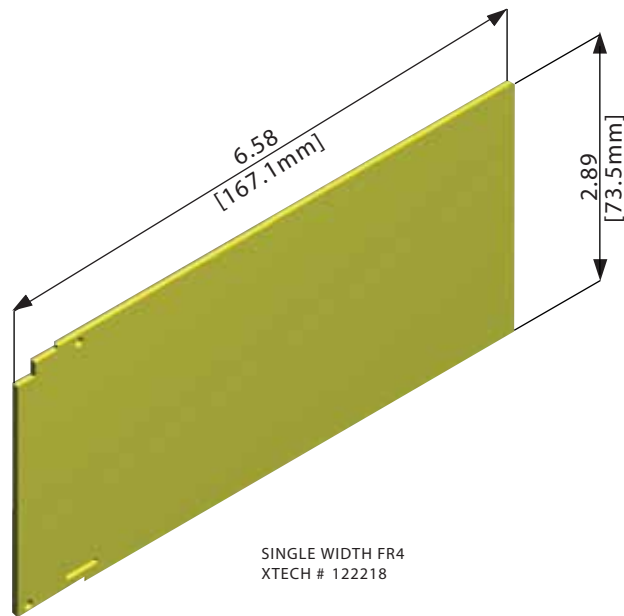
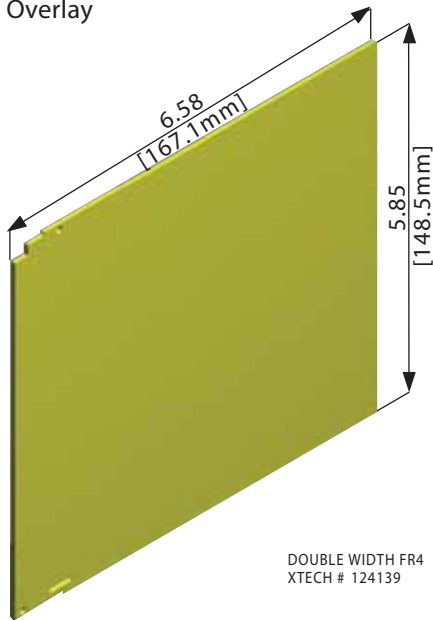
Filler Panel Assemblies

SIZES AND PART NUMBERS

Filler Panel Assemblies with FR4

Height	Width	Material	Finishing	Part Number
Single	Mid-Size	AL	OL*	125966
Single	Mid-Size	ST		125971
Single	Full	AL	OL*	123998
Single	Full	ST		125972
Single	Compact	AL	OL*	125965
Single	Compact	ST		125970
Double	Mid-Size	AL	OL*	125986
Double	Mid-Size	ST		125974
Double	Full	AL	OL*	125969
Double	Full	ST		125975

*OL - Overlay



Optional Air Baffle

Filler Panels with Air Baffle Installed
Available Upon Request

Air Baffle Material: Aluminum

Custom Air Baffle Options Available

Specifications

Specification Compliance - PICMG
AMC.0; UL94-V0;

RoHS Compliant

Features

Aluminum or Stainless Options to
Match your Front panel Design

High Aesthetic Quality

Cost Effective

FR4 Filler Panels - Lightest Weight



sales@xtech-outside.com

358 North Street, Randolph, MA 02368

www.XTech-Outside.com

US Sales: 1-888-444-1644

China Sales: 86-592-5765365